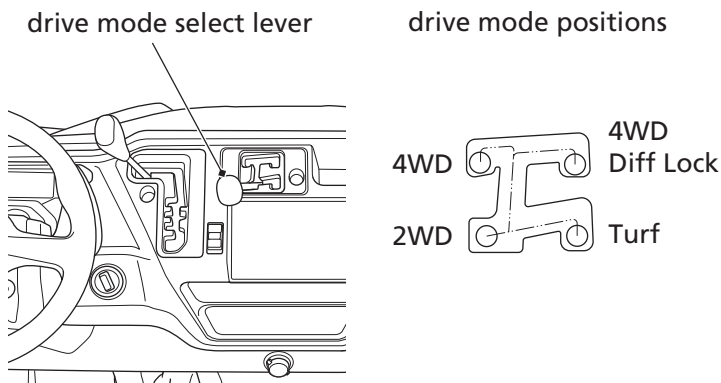


Driver Controls

Drive Mode Select Lever (SXS1000M3/M3P/M5P/M5D)

The drive mode select lever, located to the right of the shift select lever, has four drive mode positions: Turf, 2WD, 4WD and 4WD Diff Lock.



To check your present drive mode, look at the drive mode indicator and 4WD differential lock indicator.

drive mode select lever position	Turf	2WD	4WD	4WD Diff Lock
drive mode indicator				
4WD differential lock indicator	No indicator light.			