

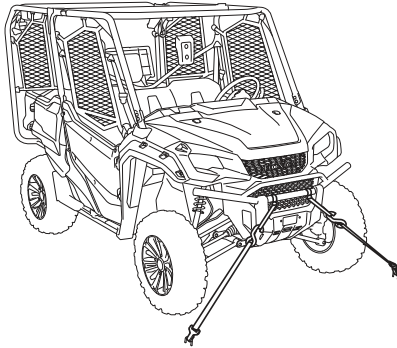
# Transporting Your Honda

---

Do not tow your Honda SXS behind a car or other vehicle except on a trailer.

Follow these procedures:

1. Shift the shift select lever into the park (P) position and the drive mode select lever into 4WD Diff Lock position.
2. Secure the vehicle with tie-down straps in the areas shown.
  - Suitable tie-down straps are available from your dealer.
  - Ordinary rope is not recommended because it can stretch under load.
  - Using tie-down straps in any other areas can damage your Honda SXS.
3. Rock the vehicle back and forth to make sure the tie-down straps are tight and the vehicle is secure.



(SXS1000M3/M3P)

(SXS1000M5P/M5D)

