

# Tires

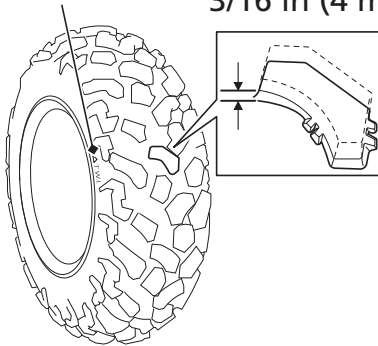
Also, if you hit a hard object while driving, stop as soon as you safely can and carefully inspect the tires for damage.

## Tread Wear

**SXS1000M3/M3P/M5P**  
(Steel wheel model)

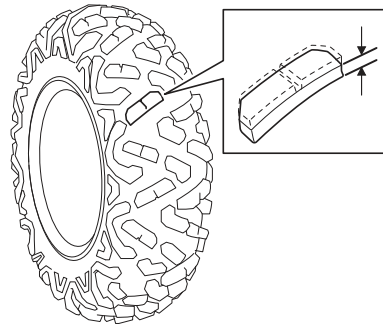
wear indicator  
location mark

groove depth  
3/16 in (4 mm)



**SXS1000M5D**  
(Aluminum wheel model)

groove depth  
3/16 in (4 mm)



To check the condition of a tire tread, measure the groove depth in the center of the tire, or check the wear indicator.

For best performance, you should replace a tire before the tread depth at the center reaches the following limits:

front	3/16 in (4 mm)
rear	3/16 in (4 mm)