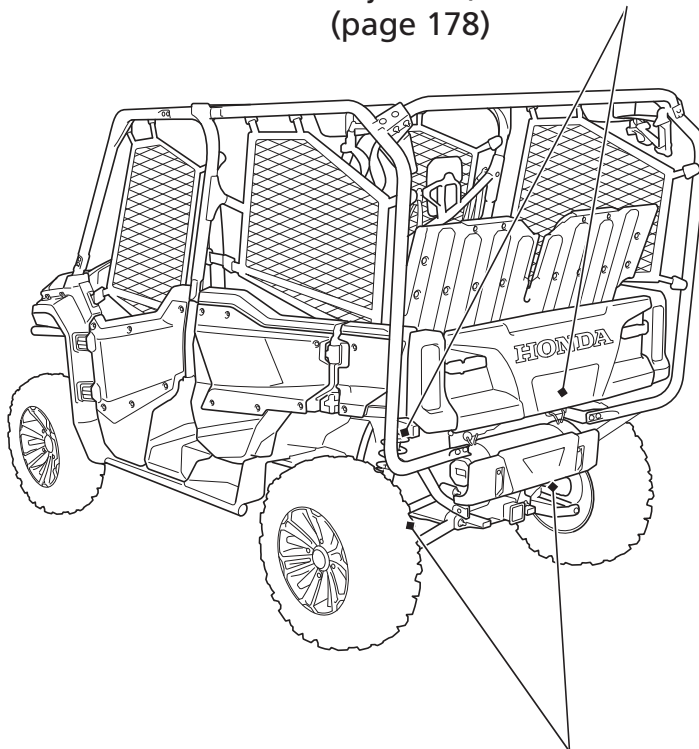


Maintenance Component Locations

- ▶ Indicates something visible.
-▶ Indicates something concealed.

rear suspension spring pre-load
adjuster (SXS1000M3/M3P only)
(page 178)



driveshaft boots
(page 196)