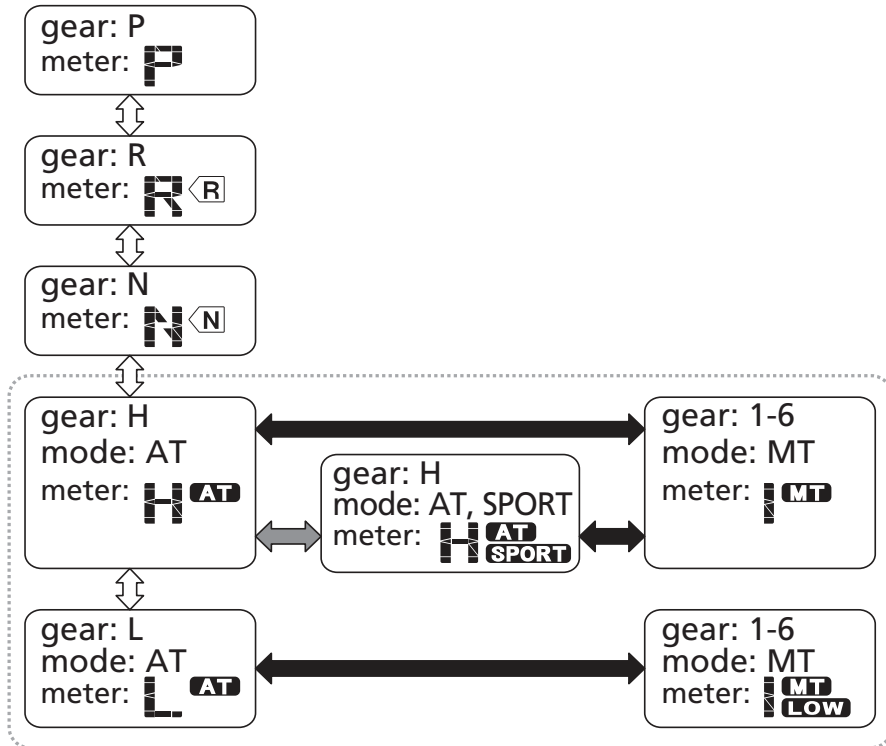


Basic Operation

Shift Position and Meter Display



- ⇨ shift the shift select lever
- ➡ push the AT/MT switch (except for SXS1000M3)
- ➡ push the SPORT switch (except for SXS1000M3)
- ⋯ shift override using shift paddles is available. during shift override, shifted gears (1 – 6) are displayed (except for SXS1000M3)