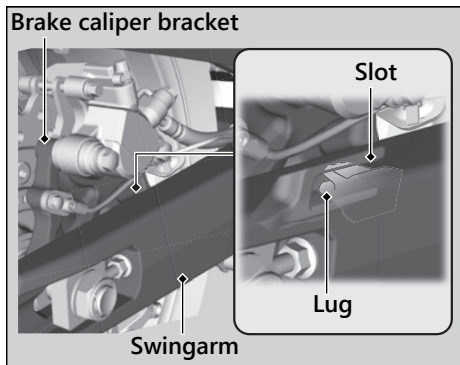


3. Make sure that the slot on the brake caliper bracket is positioned in the lug on the swingarm.



4. Adjust the drive chain. ► P. 99
5. Install and tighten the rear axle nut.

Torque: 72 lbf·ft (98 N·m, 10.0 kgf·m)

6. Tighten the drive chain adjusting bolts lightly, then hold the adjusting bolts and tighten the lock nuts.

Torque: 15 lbf·ft (21 N·m, 2.1 kgf·m)

7. After installing the wheel, apply the brake pedal several times, then check if the wheel rotates freely. Recheck the wheel if the brake drags or if the wheel does not rotate freely.