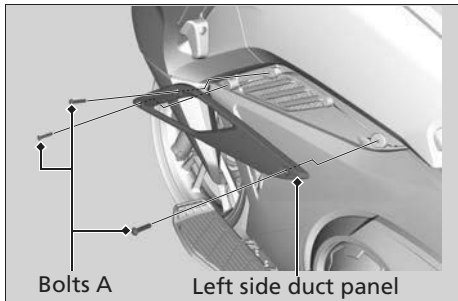
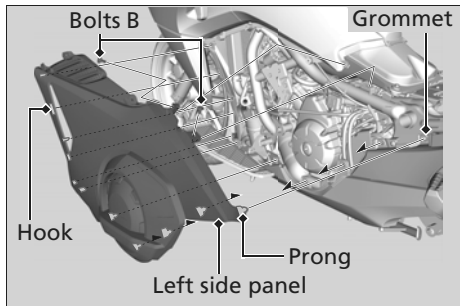


Left side



1. Remove the bolts A.
2. Remove the left side duct panel.



3. Remove the bolts B.
4. Remove the prongs from the grommets.
5. Remove the hooks.
6. Remove the left side panel.

Installation

Install the parts in the reverse order of removal.