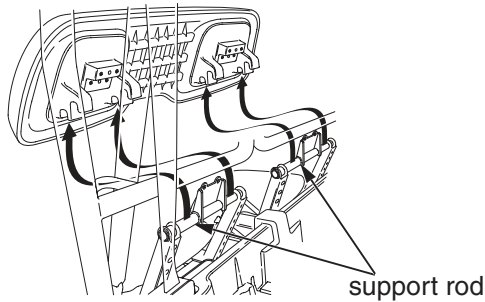


# Seat

---

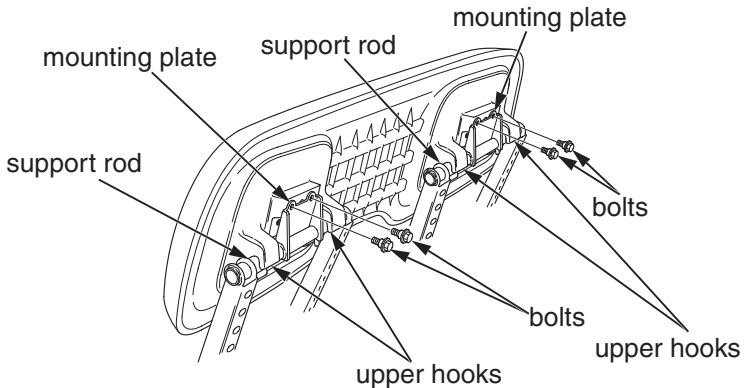
3. Lift the seat-back off the support rod.



4. Reposition the seat-back, placing the upper hooks over the support rod and lining up the upper bolt holes with the mounting plate.

5. Screw the bolts into the upper row of bolt holes and tighten them to the specified torque:

9 lbf•ft (12 N•m , 1.2 kgf•m)



To return the seat-back to a more rearward position, follow the general instructions above, setting the lower hooks on the support rod and using the lower bolt holes.