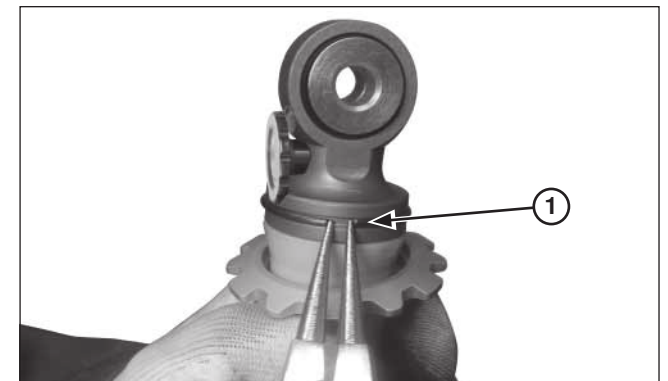


(1) SPANNER WRENCH



(1) CIRCLIP

Removal

Secure the damper in a bench vise

Loosen the lock nut and the spring adjuster using the spanner wrench (07702-0020001).

Move the spring up next to the fastener plate.

Remove the Seeger fastener ring and remove the spring plate and the spring from the damper body.