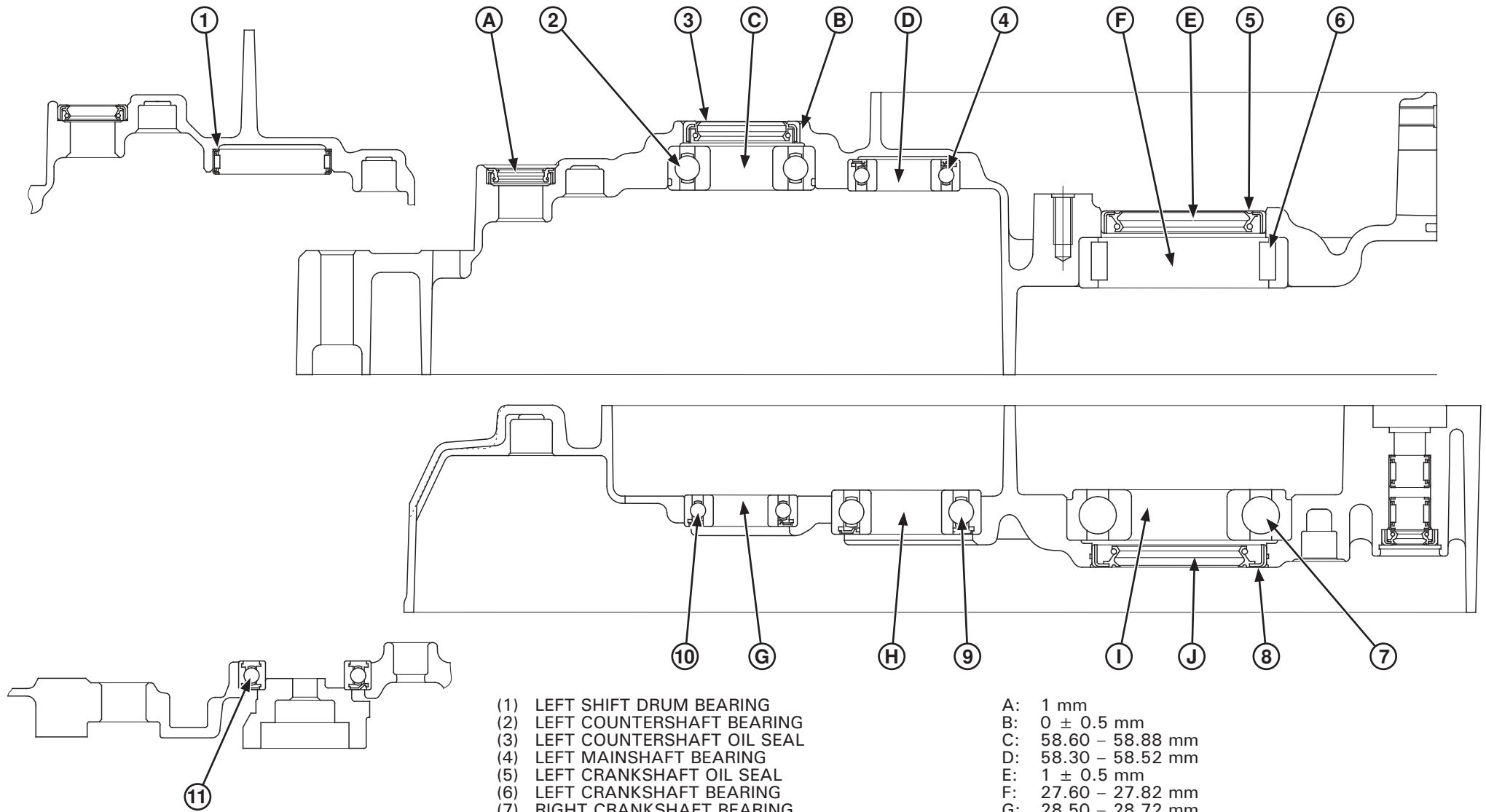


Crankcase Bearings/Oil Seals Location



- (1) LEFT SHIFT DRUM BEARING
- (2) LEFT COUNTERSHAFT BEARING
- (3) LEFT COUNTERSHAFT OIL SEAL
- (4) LEFT MAINSHAFT BEARING
- (5) LEFT CRANKSHAFT OIL SEAL
- (6) LEFT CRANKSHAFT BEARING
- (7) RIGHT CRANKSHAFT BEARING
- (8) RIGHT CRANKSHAFT OIL SEAL
- (9) RIGHT MAINSHAFT BEARING
- (10) RIGHT COUNTERSHAFT BEARING
- (11) RIGHT SHIFT DRUM BEARING

- A: 1 mm
- B:  $0 \pm 0.5$  mm
- C: 58.60 – 58.88 mm
- D: 58.30 – 58.52 mm
- E:  $1 \pm 0.5$  mm
- F: 27.60 – 27.82 mm
- G: 28.50 – 28.72 mm
- H: 27.00 – 27.22 mm
- I: 27.00 – 27.22 mm
- J:  $0 \pm 0.5$  mm