

Indicators (Continued)

Torque Control indicator

GL1800/D/DA

- Comes on when the ignition switch is turned ON. Goes off when your speed reaches approximately 3 mph (5 km/h) to indicate Torque Control is ready to work.
- Blinks when Torque Control is operating.

If the indicator comes on while riding:

 P.180

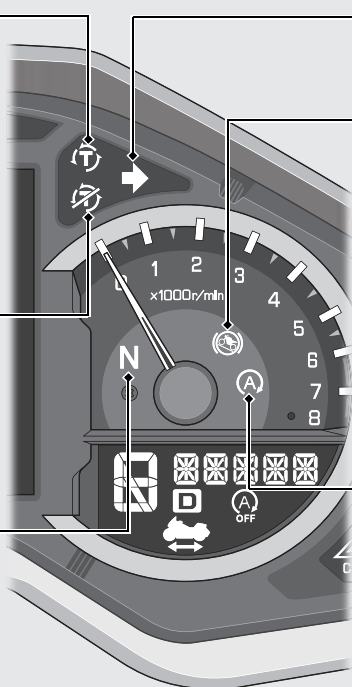
Torque Control OFF indicator

GL1800/D/DA

Comes on when Torque Control is turned off.

N Neutral indicator

Comes on when the transmission is in Neutral.



Right turn signal indicator

Hill start assist (HSA) indicator

Comes on in white to amber when the ignition switch is turned ON. Goes off when your speed reaches approximately 3 mph (5 km/h).

Hill start assist:  P.126

If the indicator comes on in amber while riding:  P.182

A Idling Stop indicator

GL1800BD/D/DA Canada model only

Comes on briefly when the ignition switch is turned ON.

Idling Stop system:  P.61