

Inspecting the Brake Pads

Check the condition of the brake pad wear indicators.

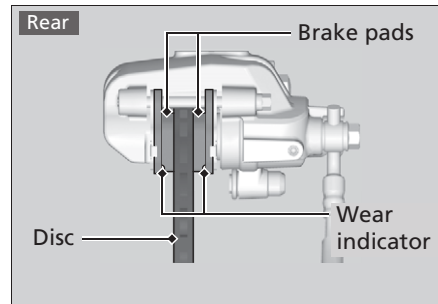
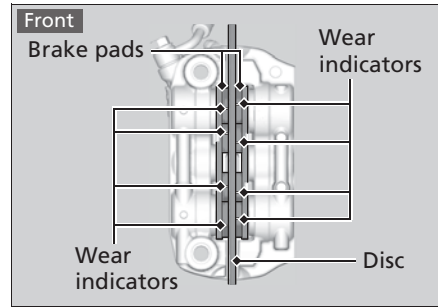
Front

The pads need to be replaced if a brake pad is worn to the bottom of the indicator.

Rear

The pads need to be replaced if a brake pad is worn to the indicator.

1. **Front** Inspect the brake pads from in front of the brake caliper.
 - Always inspect both left and right brake calipers.
2. **Rear** Inspect the brake pads from below the brake caliper.



If necessary have the pads replaced by your dealer.

Always replace both left and right brake pads at the same time.