

# Starting the Engine

Start your engine using the following procedure, regardless of whether the engine is cold or warm.

This motorcycle is equipped with a Honda SMART Key system. Always keep Honda SMART Key on you when you ride the motorcycle. ➔P.56

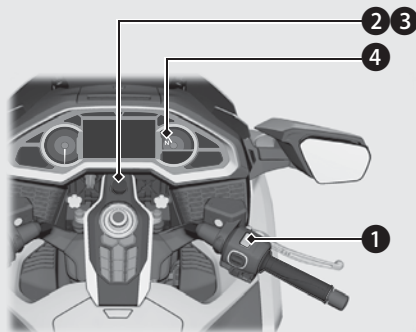
## NOTICE

- If the starter operates but the engine does not start, turn the ignition switch to OFF and wait 10 seconds before trying to start the engine again to recover battery voltage.
- Extended fast idling and revving the engine can damage the engine, and the exhaust system.
- Snapping the throttle or fast idling for more than about 5 minutes may cause exhaust pipe discoloration.
- The engine will not start if the throttle is fully open.

## GL1800/B

- 1 Make sure the engine stop switch is in the (Run) position.
- 2 Unlock the steering. ➔P.55
- 3 Turn the ignition switch to ON. ➔P.49
- 4 Shift the transmission to Neutral (N indicator comes on). Alternatively, pull in the clutch lever to start your

motorcycle with the transmission in gear so long as the side stand is raised.



- 5 Press the start button with the throttle completely closed.



## GL1800BD/D/DA

- 1 Check the parking brake ((P) parking brake indicator comes on).
- 2 Make sure the engine stop switch is in the (Run) position.
- 3 Unlock the steering. ➔P.55
- 4 Turn the ignition switch to ON. ➔P.49
  - ▶ Make sure the (N) indicator comes on. If the (N) indicator does not come on. ➔P.115

