

## Indicators (Continued)

### Torque Control indicator

GL1800/D/DA

- Comes on when the ignition switch is turned ON. Goes off when your speed reaches approximately 3 mph (5 km/h) to indicate Torque Control is ready to work.
- Blinks when Torque Control is operating.

#### If the indicator comes on while riding:

➔ P.180

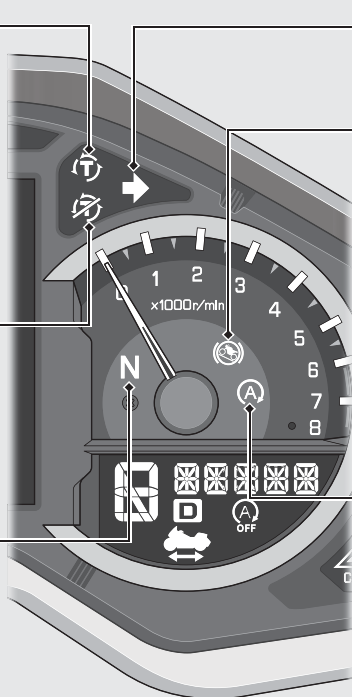
### Torque Control OFF indicator

GL1800/D/DA

Comes on when Torque Control is turned off.

### Neutral indicator

Comes on when the transmission is in Neutral.



### Right turn signal indicator

### Hill start assist (HSA) indicator

Comes on in white to amber when the ignition switch is turned ON. Goes off when your speed reaches approximately 3 mph (5 km/h).

**Hill start assist:** ➔ P.126

**If the indicator comes on in amber while riding:** ➔ P.182

### Idling Stop indicator

GL1800D/DA Canada model only

Comes on briefly when the ignition switch is turned ON.

**Idling Stop system:** ➔ P.61