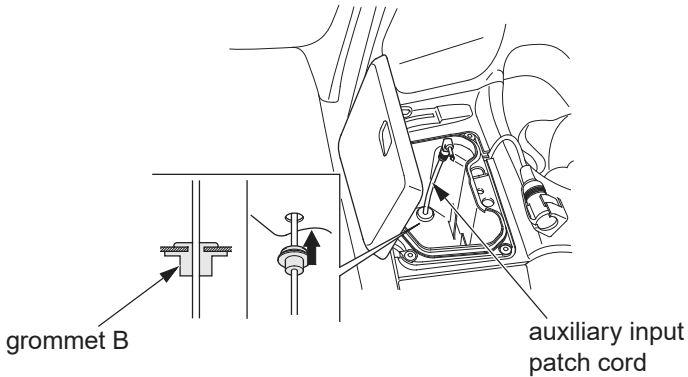


## Auxiliary Function

---

6. Route the auxiliary input patch cord through the hole in the bottom of the fairing pocket.
7. Install the grommet B to left fairing pocket.  
Do not pull on the auxiliary cord as the wires could be damaged.



- Some portable audio systems may pick up noise from the ignition.
- Adjust the volume of the portable audio system so that it is about the same level as the GL's radio volume. If the volume of the portable audio system is set too high, the sound coming out from the speakers or headset may be distorted.