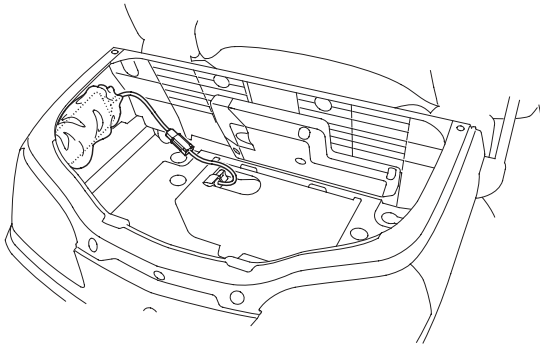


## iPod<sup>®</sup>/USB Flash Drive

---

- Do not leave iPods<sup>®</sup>/USB flash drives in the vehicle (trunk). High heat will damage it.
- Read precaution statements on the provided instructions of your iPods<sup>®</sup>/USB flash drives.
- Use iPod<sup>®</sup> with the latest version of firmware.
- Some USB flash drives (such as devices with security lockout features, etc.) may not be used or restricted to its function.
- Do not use hard disks, card readers, and memory readers which may damage the device and data. If you accidentally connect the one of them, turn the ignition switch OFF and remove it.
- We recommend backing up your data before playing it.
- iPods<sup>®</sup> or some of USB flash drives can be charged with the USB cable when the ignition switch is in the ON or ACC position. The charging time may be longer than usual.
- We recommend covering your iPods<sup>®</sup>/USB flash drives with Honda accessory audio pouch, or soft fabric or cover to protect from damage.



- Be careful to not get the USB connector wet.
- Do not connect with a hub.
- Do not connect incompatible iPods<sup>®</sup>/USB flash drives.
- Music information may not be displayed. If the character code in use is not supported, “. ” will be displayed.
- If the audio system does not recognize the iPod<sup>®</sup>, try reconnecting it a few times or reboot the device.