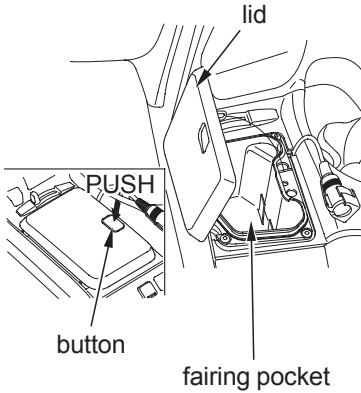


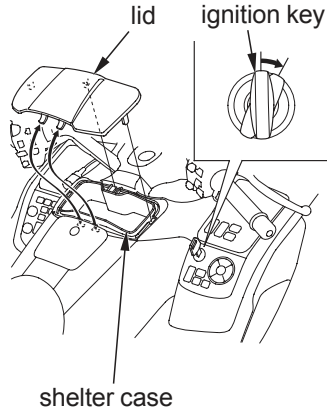
Cargo Compartment

Fairing Pocket / Shelter Case

LEFT SIDE



(Models not equipped with Airbag)
RIGHT SIDE



The fairing pocket and shelter case are for lightweight items.

Cargo should not exceed:

- in fairing pocket 4.5 lb (2.0 kg)
- in shelter case 6.6 lb (3.0 kg)

To open the fairing pocket, push the button.

(Models not equipped with Airbag)

To open the shelter case, insert the ignition key, turn it clockwise.

To close the fairing pocket and/or shelter case, place your hands flat on the edges of its lid and press down until it is firmly closed.

Make sure the fairing pocket and shelter case are closed before riding.

Be careful not to flood this area when washing your motorcycle.

Take care to keep gasoline, brake fluid, or other chemical solvents off the lids. They will damage the surface of the lids.

Do not store valuables in the fairing pocket and shelter case.