

Blown Fuse

Before handling fuses, see "Inspecting and Replacing Fuses." ▶ P. 148

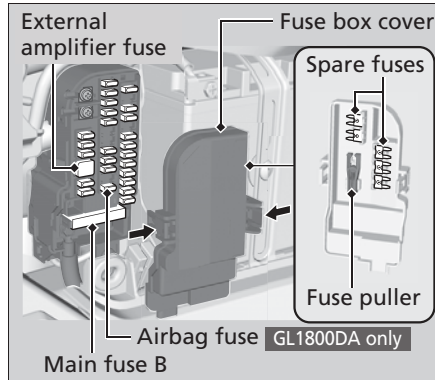
Fuse Box Fuses

1. Remove the left side cover. ▶ P. 156
2. Remove the fuse box cover.
3. Pull the fuses out one by one with the fuse puller and check for a blown fuse. Always replace a blown fuse with a spare fuse of the same rating.
 - ▶ Spare fuses and fuse puller are provided on back side of the fuse cover.
4. Install the parts in the reverse order of removal.

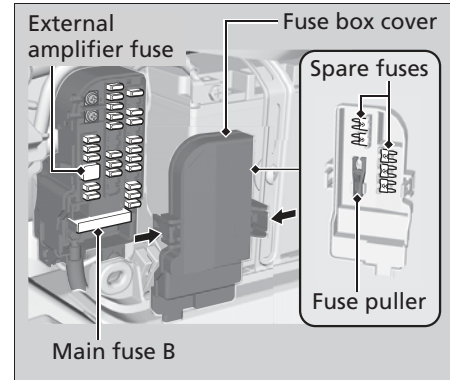
Main Fuse B, Speed Limiter Fuse and External Amplifier Fuse

To check and replace the main fuse B, speed limiter fuse and external amplifier fuse, see your dealer for servicing.

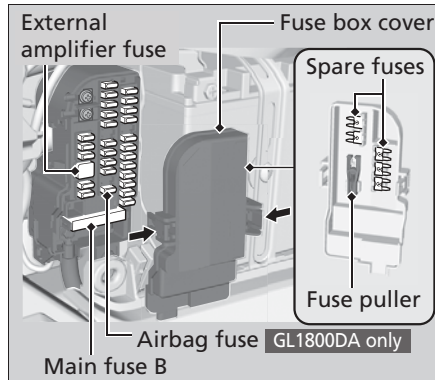
GL1800D/DA USA model



GL1800BD



GL1800D/DA Canada model



GL1800

