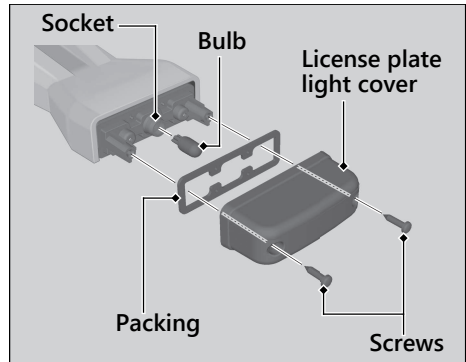


3. Install a new bulb and parts in the reverse order of removal.
 - Install the socket by aligning its "△" mark with the round projection on the position light housing. Then turn it clockwise until the "△" mark is aligned with the triangular projection.

License Plate Light Bulb



1. Remove the screws.
2. Remove the license plate light cover and packing.
3. Pull the bulb out of the socket without turning it.
4. Install a new bulb and parts in the reverse order of removal.