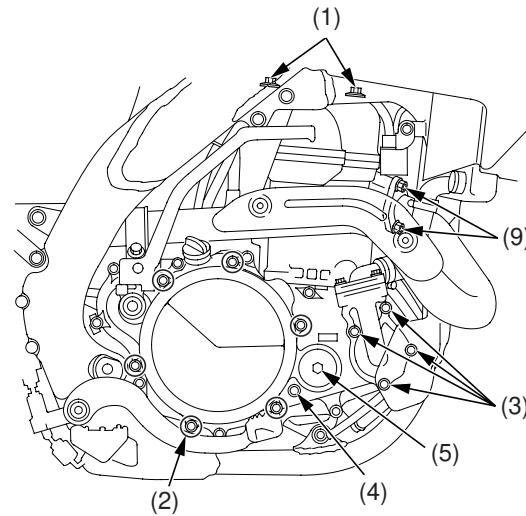
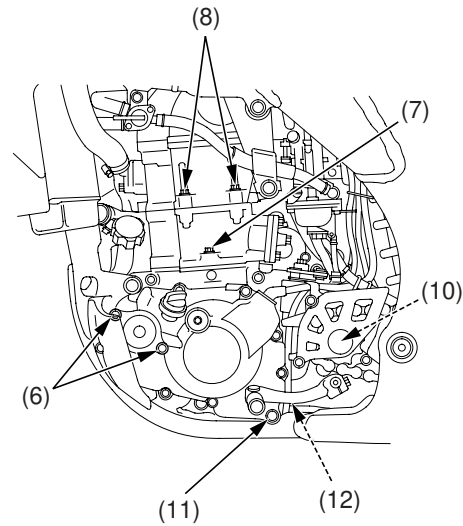


Torque Specifications

Nuts, Bolts, Fasteners

Check and tighten nuts, bolts, and fasteners before every outing.

Engine



	Item	Torque			Remarks
		N·m	kgf·m	lbf·ft	
	ENGINE				
1	Cylinder head cover bolts	10	1.0	7	
2	Clutch cover bolts	10	1.0	7	
3	Water pump cover bolts	10	1.0	7	
4	Transmission oil check bolt	10	1.0	7	
5	Crankshaft hole cap	15	1.5	11	
6	Oil filter cover bolts	10	1.0	7	
7	Cylinder bolt	10	1.0	7	
8	Cylinder head bolts	10	1.0	7	
9	Exhaust pipe joint nut	21	2.1	15	
10	Drive sprocket bolt	31	3.2	23	NOTE 1
11	Engine oil drain bolt	16	1.6	12	
12	Transmission oil drain bolt	22	2.2	16	

NOTE: 1. UBS bolt.