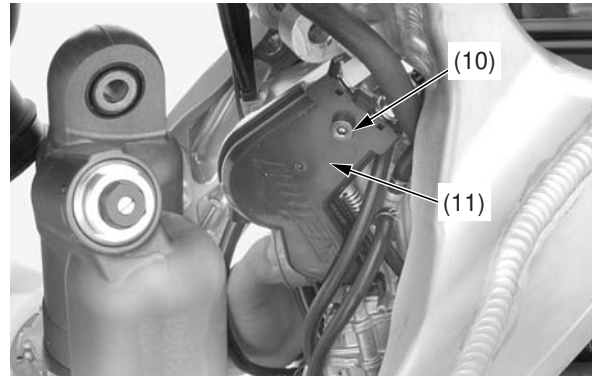


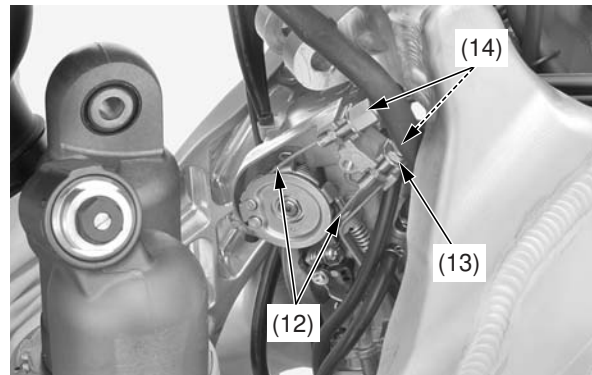
## Carburetor Adjustment & Tuning Tips

11. Remove the throttle drum cover bolt (10) and throttle drum cover (11).



(10) throttle drum cover bolt  
(11) throttle drum cover

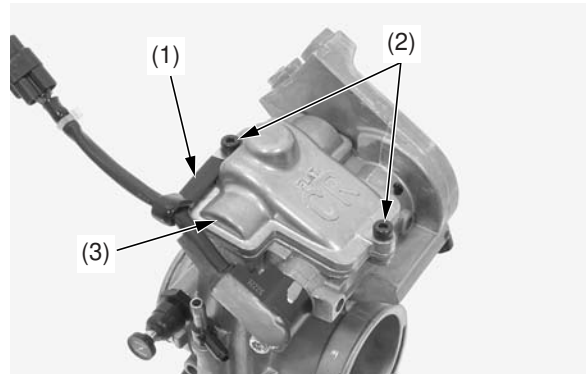
12. Remove the throttle cables (12) by loosening the throttle cable lock nut (13) and adjusting nuts (14).



(12) throttle cables  
(13) throttle cable lock nut  
(14) adjusting nuts

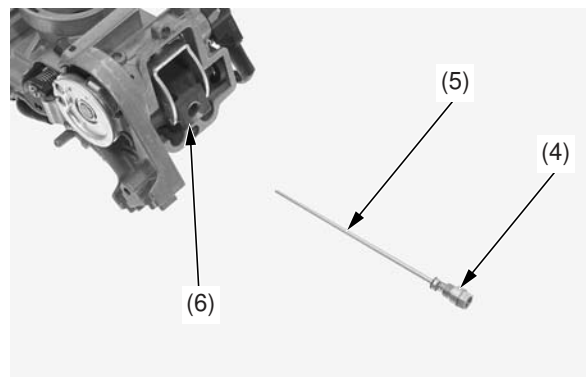
### Carburetor Disassembly/Assembly

1. Pull up the cable clamp (1) and remove the carburetor top bolts (2). Then remove the carburetor top (3).



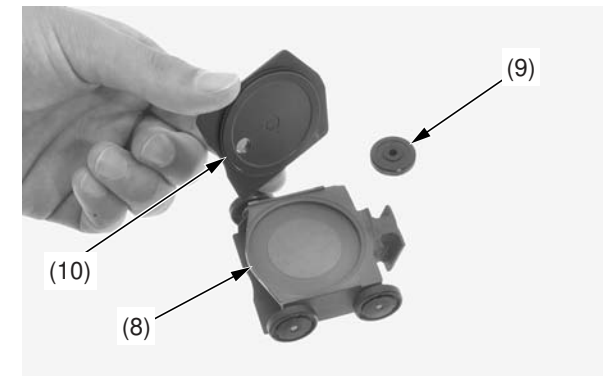
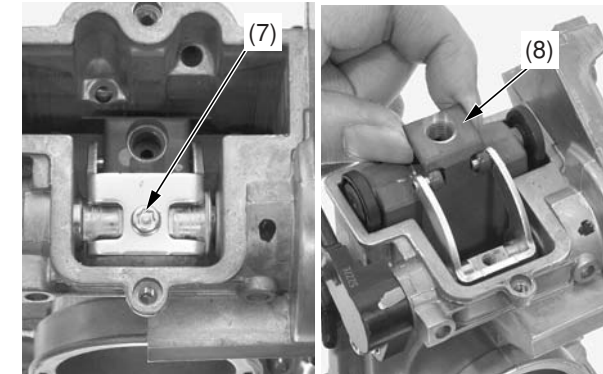
(1) cable clamp  
(2) carburetor top bolts  
(3) carburetor top

2. Remove the jet needle holder (4) and jet needle (5) from the throttle valve (6).



(4) jet needle holder  
(5) jet needle  
(6) throttle valve

3. Remove the link arm torx screw (7). When installing the link arm torx screw, apply a locking agent to the link arm torx screw threads.  
4. Remove the throttle valve (8), throttle valve roller (9) and floating valve (10).



(7) link arm torx screw  
(8) throttle valve  
(9) throttle valve roller  
(10) floating valve

(cont'd)