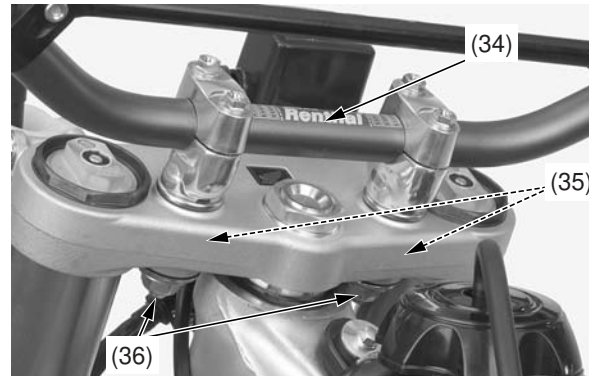


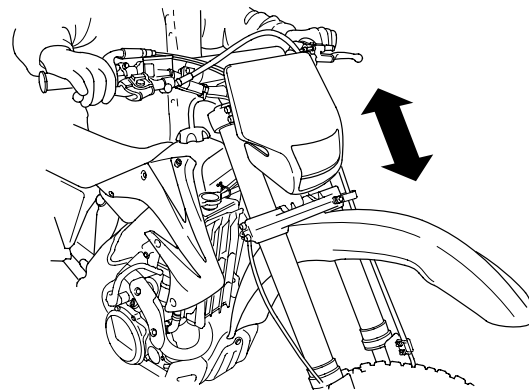
Front Suspension Adjustments

27. Install the handlebar (34), mounting rubbers (35), washers and handlebar lower holder nuts (36) and tighten the handlebar lower holder nuts to the specified torque:
44 N·m (4.5 kgf·m, 32 lbf·ft)



(34) handlebar
(35) mounting rubbers
(36) washers/handlebar lower holder nuts

28. Install the front visor (page 103).
29. With the front brake applied, pump the fork up and down several times to seat the axle and check front brake operation.

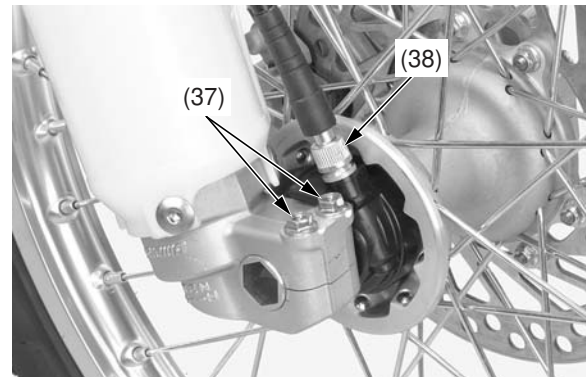


30. While keeping the forks parallel, alternately tighten the right axle pinch bolts (37) to the specified torque:
20 N·m (2.0 kgf·m, 15 lbf·ft)

NOTICE

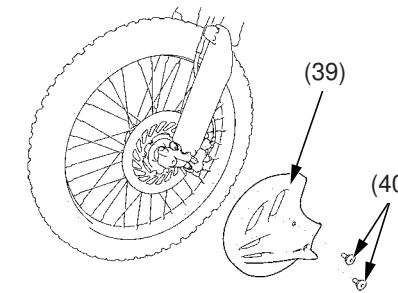
To avoid damage when torquing the axle pinch bolts, be sure the axle is seated firmly onto the right fork leg clamp inner surface.

31. Connect the tripmeter cable (38) and tighten the lock nut securely.



(37) right axle pinch bolts (38) tripmeter cable

32. Install the disc cover (39) and tighten the bolts (40) to the specified torque:
13 N·m (1.3 kgf·m, 10 lbf·ft)



(39) disc cover

(40) bolts

33. Return the rebound damping adjuster and compression damping adjuster to the original positions as noted during removal.