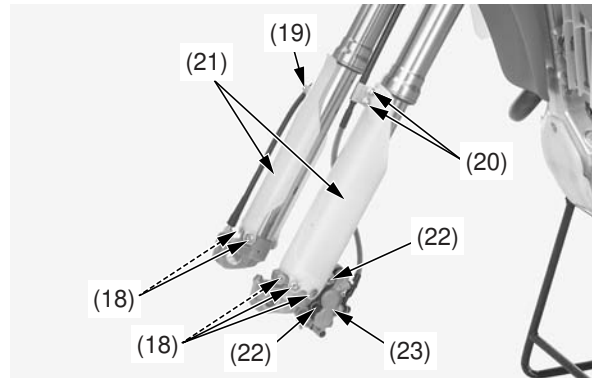


Front Suspension Adjustments

21. Clean the threads of the fork protector bolts (18) and axle holder thoroughly. Apply locking agent to the fork protector bolt threads. Install the fork protectors (21), fork protector bolts, brake hose clamp bolts (20) and tripmeter cable clamp screws (19). Tighten the fork protector bolts to the specified torque:
 7 N·m (0.7 kgf·m, 5.2 lbf·ft)
 Tighten tripmeter cable clamp screws to the specified torque:
 0.7 N·m (0.1 kgf·m, 0.5 lbf·ft)

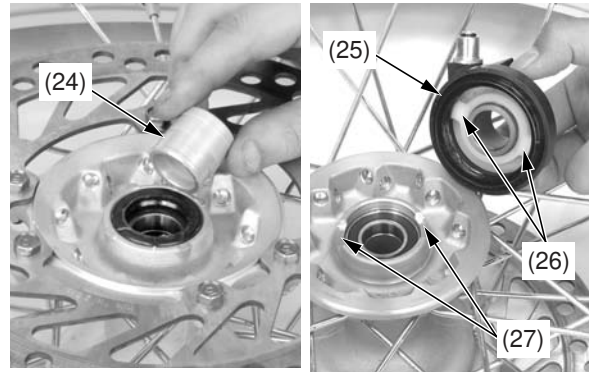
22. Align the brake caliper (23) and hose with the left fork leg, making sure that the brake hose is not twisted. An improperly routed brake hose may rupture and cause a loss of braking efficiency.

23. Clean the threads of the caliper mounting bolts (22) and brake caliper thoroughly. Apply locking agent to the bolt threads. Install the brake caliper on the slider and tighten the caliper mounting bolts to the specified torque:
 30 N·m (3.1 kgf·m, 22 lbf·ft)



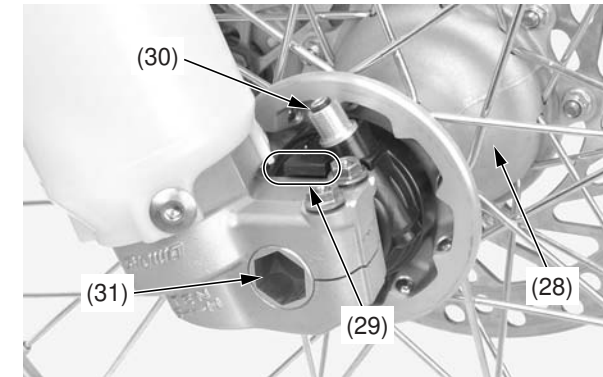
(18) fork protector bolts
 (19) tripmeter cable clamp screws
 (20) brake hose clamp bolts (22) caliper mounting bolts
 (21) fork protectors (23) brake caliper

24. Check the left side collar (24) and tripmeter gear box (25) for wear or damage. Install the left side collar to the left wheel hub. Install the trip meter gear box while aligning its tabs (26) of the tripmeter gear box with the grooves (27) on the right wheel hub.



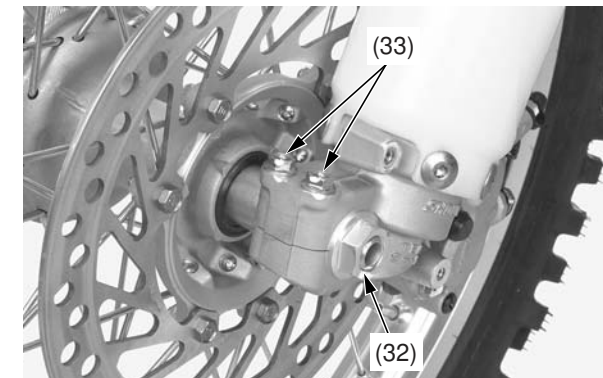
(24) left side collar (26) tabs
 (25) tripmeter gear box (27) grooves

25. Clean the clamping surface of the axle and axle holders. Install the front wheel (28) between the fork legs while inserting the disc between the pads, and align (29) the tab of the tripmeter gear box as shown. Check that the tripmeter gear box O-ring (30) is in good condition, replace it if necessary. Apply a thin layer of grease to the axle (31) and insert the axle from the right side.



(28) front wheel (30) O-ring
 (29) align (31) axle

26. Install and tighten the axle nut (32) to the specified torque.
 88 N·m (9.0 kgf·m, 65 lbf·ft)
 Tighten the left axle pinch bolts (33) to the specified torque.
 20 N·m (2.0 kgf·m, 15 lbf·ft)



(32) axle nut
 (33) left axle pinch bolts