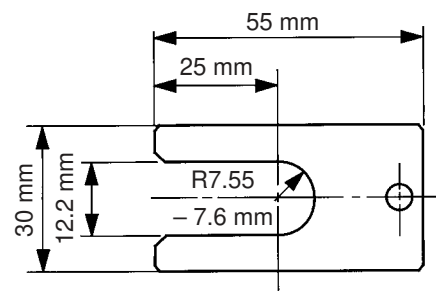


Front Suspension Adjustments

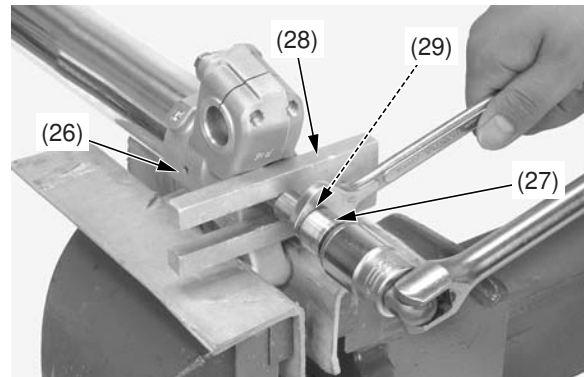
19. Push out the fork centre bolt (27) from the axle holder (26) of the slider by pushing the fork damper. While the fork centre bolt is pushed out, install the piston base (28) or a mechanic's stopper tool between the axle holder and lock nut (29).
20. Make the mechanic's stopper tool out of a thin piece of steel (1.0 mm thick) as shown if you do not have the special tool.



21. Hold the lock nut and remove the fork centre bolt from the fork damper.

NOTICE

Do not remove the lock nut from the fork damper piston rod. If the lock nut is removed, the piston rod will fall in the fork damper and you cannot reassemble the fork damper.

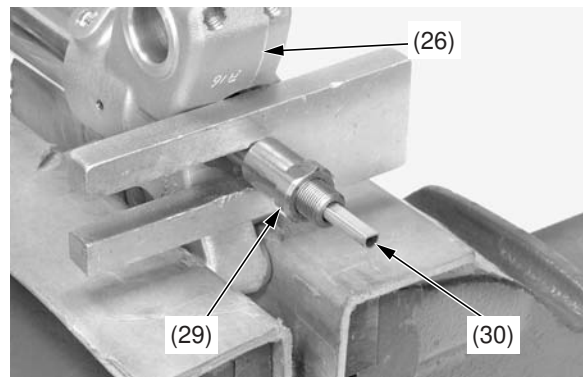


(26) axle holder (28) piston base
(27) fork centre bolt (29) lock nut

22. Remove the push rod (30) from the fork damper.
23. Remove the piston base or mechanic's stopper tool between the axle holder (26) and lock nut (29) while pushing the fork damper.

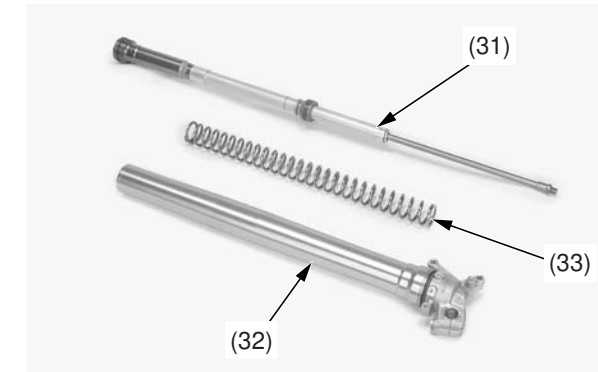
NOTICE

Be careful not to damage the lock nut and fork centre bolt hole.



(26) axle holder (30) push rod
(29) lock nut

24. Remove the fork damper assembly (31) from the fork assembly (32).
Remove the fork from the vise.
Remove the fork spring (33) from the fork assembly.



(31) fork damper assembly (33) fork spring
(32) fork assembly