

Brakes

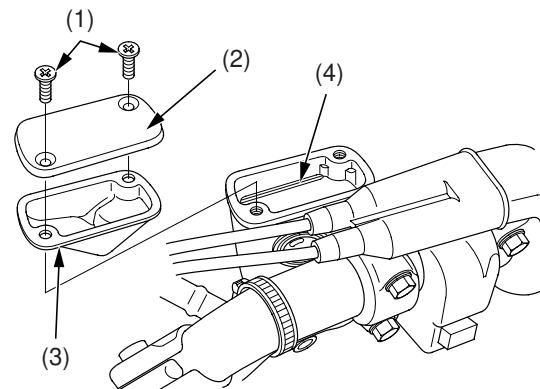
Adding Front Brake Fluid

NOTICE

Spilled brake fluid will severely damage instrument lenses and painted surfaces. It is also harmful to some rubber parts. Be careful whenever you remove the reservoir cap: make sure the reservoir is horizontal first.

- Always use fresh DOT 4 brake fluid from a sealed container when servicing the system. Do not mix different types of fluid, they may not be compatible.

The recommended brake fluid is DOT 4 brake fluid or an equivalent.



- (1) screws
(2) reservoir cap
(3) diaphragm
(4) upper level mark

1. Remove the screws (1), reservoir cap (2) and diaphragm (3).
2. Fill the reservoir with DOT 4 brake fluid to the upper level mark (4). Do not overfill.
3. Reinstall the diaphragm and reservoir cap.
4. Tighten the screws to the specified torque:
1 N·m (0.1 kgf·m, 0.7 lbf·ft)

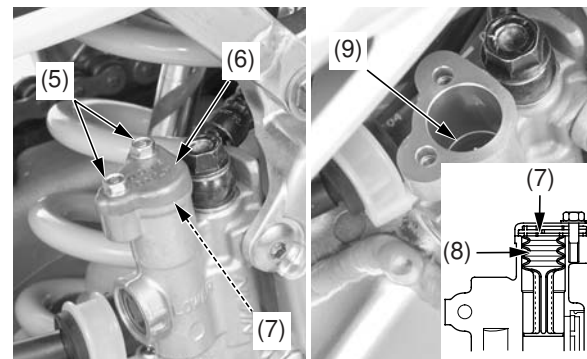
Adding Rear Brake Fluid

NOTICE

Spilled brake fluid will severely damage instrument lenses and painted surfaces. It is also harmful to some rubber parts. Be careful whenever you remove the reservoir cap: make sure the reservoir is horizontal first.

- Always use fresh DOT 4 brake fluid from a sealed container when servicing the system. Do not mix different types of fluid, they may not be compatible.

The recommended brake fluid is DOT 4 brake fluid or an equivalent.



- (5) bolts
(6) reservoir cap
(7) set plate
(8) diaphragm
(9) upper level mark

1. Remove the bolts (5), reservoir cap (6), set plate (7) and diaphragm (8).
2. Fill the reservoir with DOT 4 brake fluid to the upper level mark (9). Do not overfill.
3. Reinstall the diaphragm, set plate and reservoir cap.
Do not bend to the diaphragm during installation.
4. Install and tighten the bolts to the specified torque:
1 N·m (0.1 kgf·m, 0.7 lbf·ft)

Other Inspection

- Make sure there are no fluid leaks.
- Check for deterioration or cracks in the hoses and fittings.