

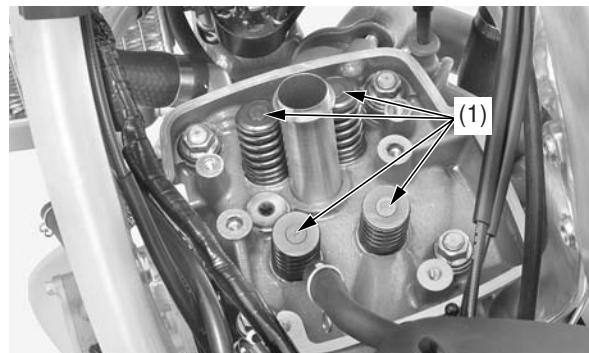
Valve Clearance

Camshaft Holder Assembly Installation

1. Install the newly selected shims (1) on the valve retainers.

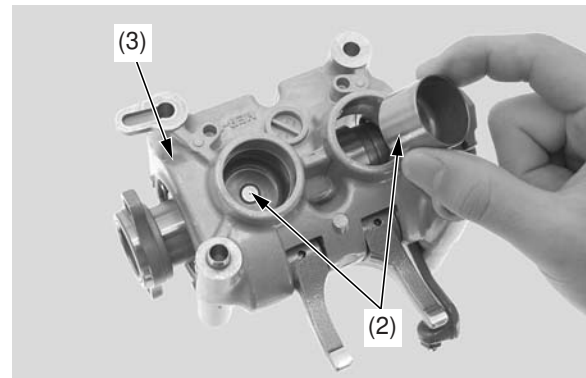
NOTICE

Do not let the shims fall into the crankcase.



(1) shims

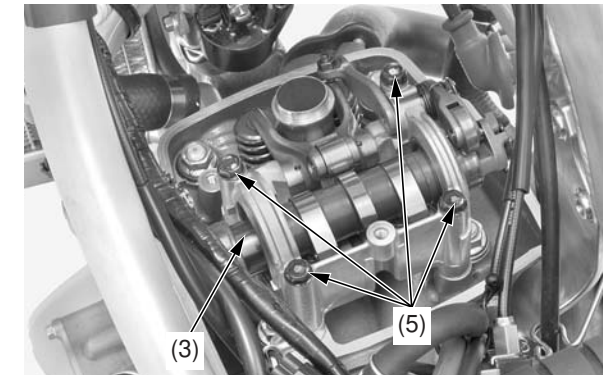
2. Apply molybdenum disulfide oil solution (a mixture of 1/2 engine oil and 1/2 molybdenum disulfide grease containing more than 3% molybdenum disulfide additive) to outer surface of each valve lifter (2).
3. Install the valve lifters in their original locations in the camshaft holder assembly (3).



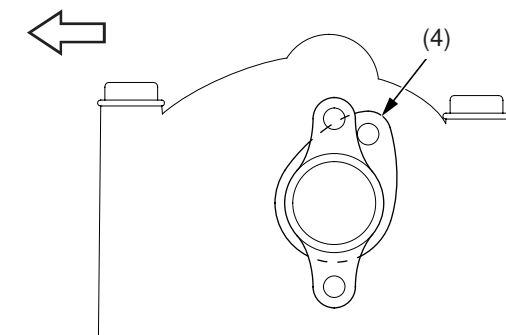
(2) valve lifters
(3) camshaft holder assembly

4. Install the camshaft holder assembly (3) onto the cylinder head with the intake cam lobes (4) facing up as illustrated below. Apply oil to the camshaft holder assembly bolt threads and seating surface. Tighten the camshaft holder assembly bolts (5) to the specified torque: 14 N·m (1.4 kgf·m, 10 lbf·ft)

Tighten the camshaft holder assembly bolts in a crisscross pattern in 2 or 3 steps.



Exhaust side



(3) camshaft holder assembly
(4) intake cam lobes
(5) camshaft holder assembly bolts