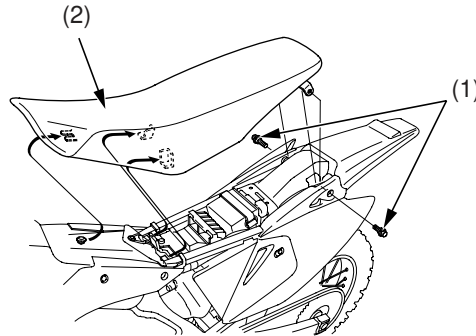


Seat Removal

Refer to *Safety Precautions* on page 25.

Removal

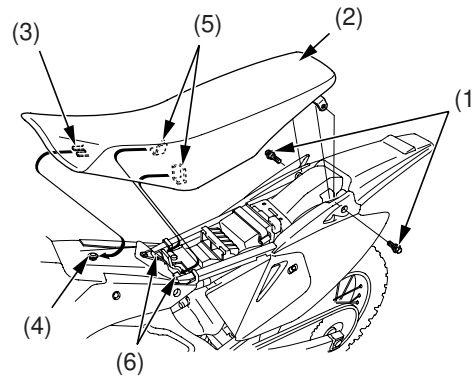
1. Remove the seat bolts (1).
2. Remove the seat (2) by sliding it backward.



(1) seat bolts
(2) seat

Installation

1. Install the seat (2) while aligning the seat front prong (3) with the seat bracket (4) and seat rear prongs (5) with the tabs (6) of the frame.
2. Install and tighten the seat bolts (1) to the specified torque.
26 N·m (2.7 kgf·m, 19 lbf·ft)



(1) seat bolts
(2) seat
(3) seat front prong
(4) seat bracket
(5) seat rear prongs
(6) tabs