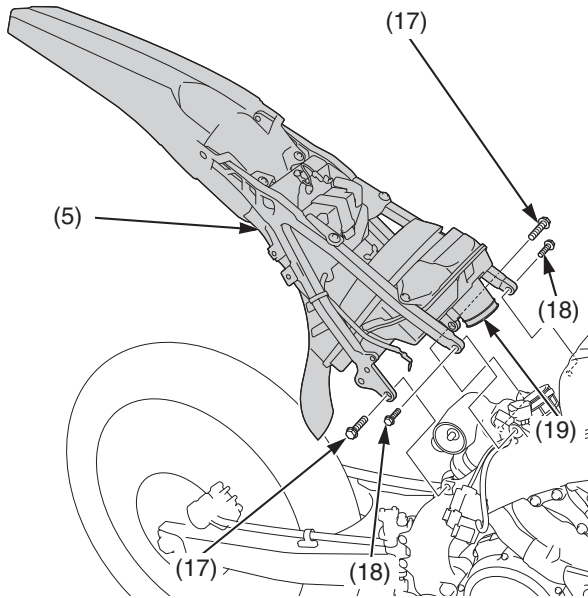


Subframe

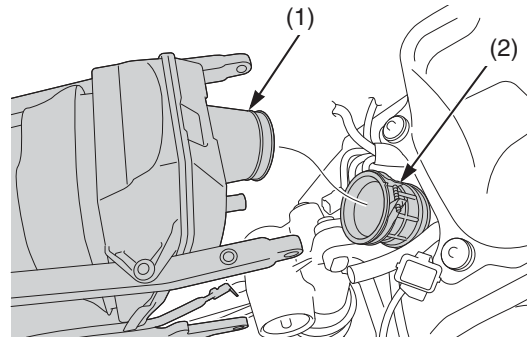
11. Remove the subframe lower bolts (17) and upper bolts (18).
Remove the subframe (5) while disconnecting the air cleaner connecting tube (19).



- (5) subframe
(17) subframe lower bolts
(18) subframe upper bolts
(19) air cleaner connecting tube

Installation

1. Align the upper and lower ends of the subframe to the main frame while connecting the air cleaner box (1) to the air cleaner connecting tube (2), and loosely install all subframe bolts.



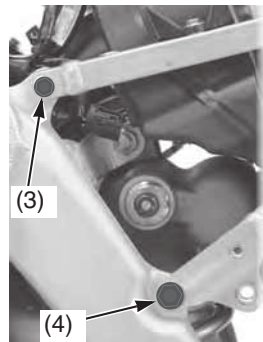
- (1) air cleaner box
(2) air cleaner connecting tube

2. Tighten the subframe upper bolts (3) first and then tighten the lower bolts (4) to the specified torque:

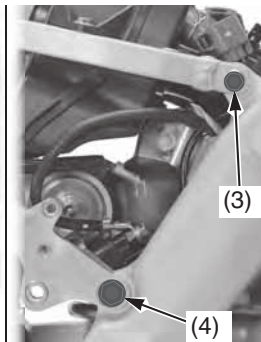
subframe upper bolts:
24 lbf-ft (32 N·m, 3.3 kgf·m)

subframe lower bolts:
36 lbf-ft (49 N·m, 5.0 kgf·m)

Left side:

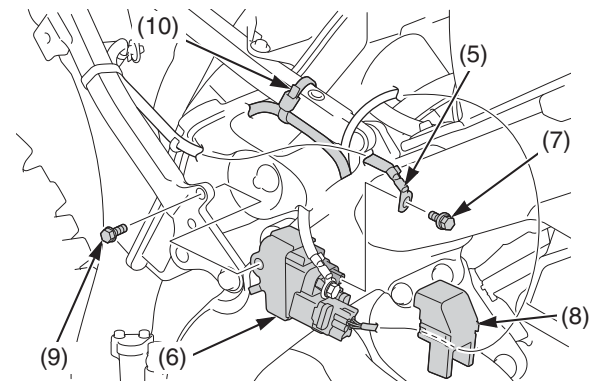


Right side:



- (3) subframe upper bolts
(4) subframe lower bolts

3. Connect the battery cable terminal (5) to the start magnetic switch (6).
Install and tighten the battery cable terminal bolt (7) to the specified torque:
5.2 lbf-ft (7 N·m, 0.7 kgf·m)
Install the start magnetic switch cover (8).
Install the start magnetic switch.
Install and tighten the start magnetic switch stay bolt (9) to the specified torque:
9 lbf-ft (12 N·m, 1.2 kgf·m)
Install the plastic wire band (10).



- (5) battery cable terminal
(6) start magnetic switch
(7) battery cable terminal bolt
(8) start magnetic switch cover
(9) start magnetic switch stay bolt
(10) wire band