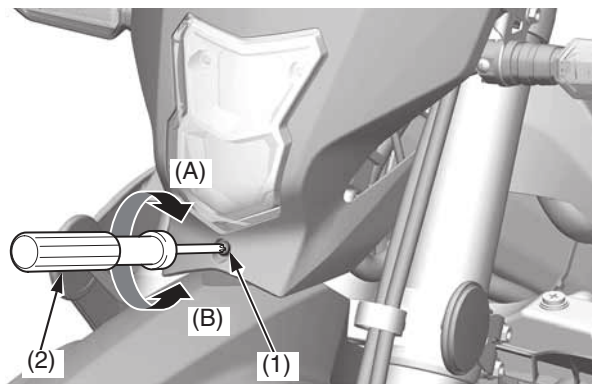


# Headlight Aim

## Headlight Aim Vertical Adjustment

You can adjust vertical aim of the headlight for proper alignment. Turn the screw (1) in or out as necessary using a Phillips screwdriver (2). Obey local laws and regulations.



- (1) screw
- (2) Phillips screwdriver
- (A) Up
- (B) Down