

Always follow the proper starting procedure described below.

Your motorcycle can be started with the transmission in gear by pulling in the clutch lever before operating the starter.

Your motorcycle is equipped with a side stand ignition cut-off system. If the side stand is down — the engine cannot be started unless the transmission is in neutral.

If the side stand is up — the engine can be started in neutral, or in gear with the clutch lever pulled in. After starting with the side stand down, the engine will stop if the transmission is put in gear before raising the side stand.


## Fast Idle Knob

The fast idle knob has two functions:

- When pulled out, the fast idle knob assists in first-time start-up for cold weather starting.
- When pushed in, it acts like an idle adjustment screw. Refer to *Idle Speed Adjustment* on page 80.

## Preparation

Before starting, insert the key, turn the ignition switch to the ON position, and confirm the following:

- The transmission is in neutral (neutral indicator is ON).
- The engine stop switch is set to  (Run) position.
- The PGM-FI malfunction indicator lamp (MIL) is OFF.

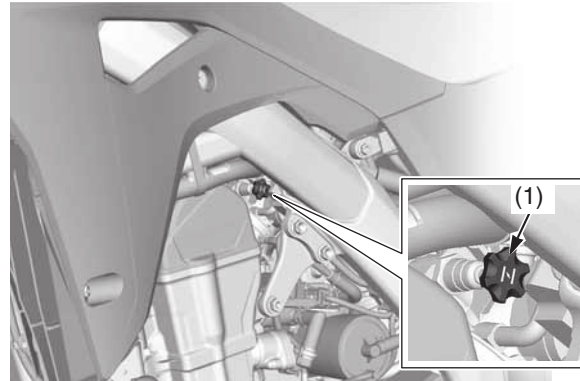
## Starting Procedure

Always follow the proper starting procedure described as follows.

Check the engine oil and coolant levels before starting the engine (pages 70, 72).

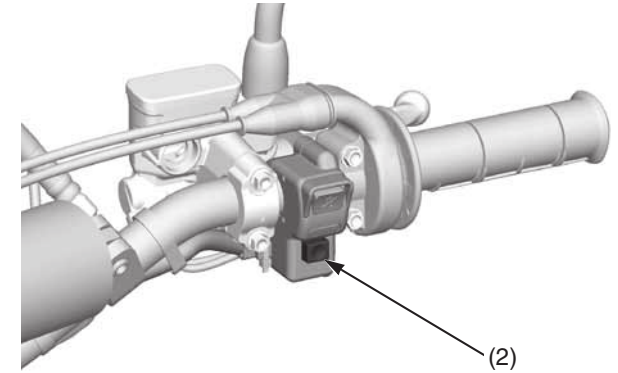
### Cold Engine Starting

1. Shift the transmission into neutral.
2. If the temperature is 50°F (10°C) or below, pull the fast idle knob (1) fully up.



(1) fast idle knob

3. With the throttle closed.  
Pull the clutch lever all the way in, and depress the start button (2).



(2) start button

4. About a minute after the engine starts, push the fast idle knob back all the way to fully off.  
If idling is unstable, open the throttle slightly.

(cont'd)