

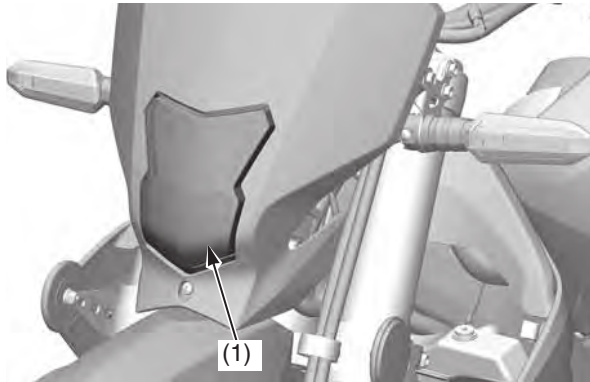
If You Have a Burned-out Light Bulb

Burned-out Light Bulb

All light bulbs on the motorcycle are LEDs. If there is an LED which is not turned on, see your dealer for servicing.

Headlight

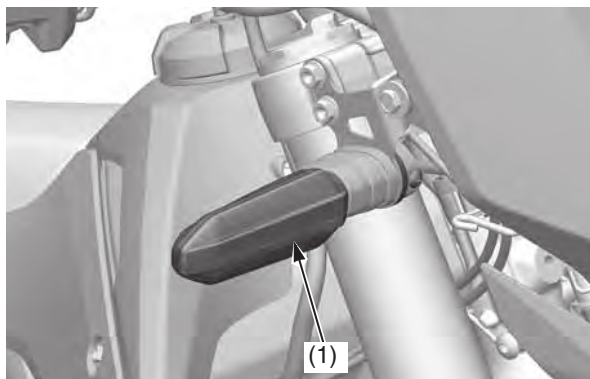
The headlight (1) uses several LEDs. If there is an LED which is not turned on, see your dealer for servicing.



(1) headlight

Position Light

The position lights (1) use several LEDs. If there is an LED which is not turned on, see your dealer for servicing.

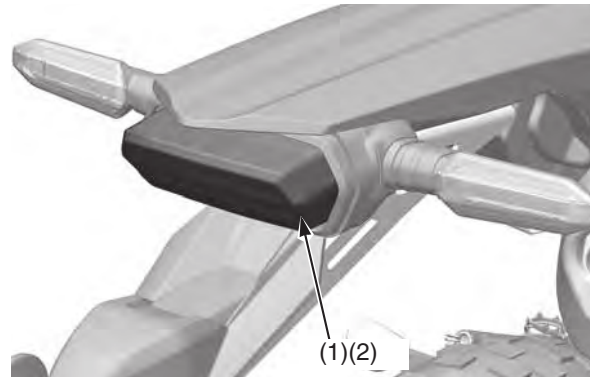


(1) position light

Brake light/Taillight

The brake light (1) and taillight (2) uses several LEDs.

If there is an LED which is not turned on, see your dealer for servicing.



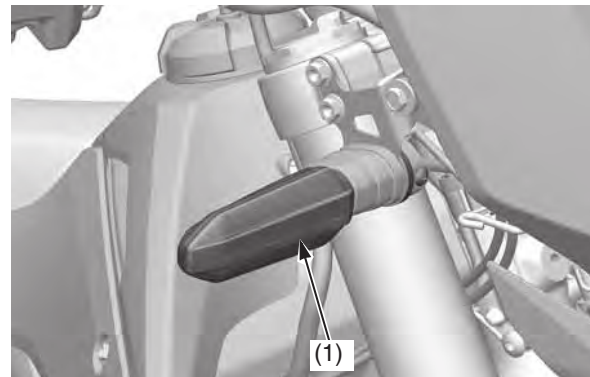
(1) brake light

(2) taillight

Front/Rear Turn Signal Light

The front and rear turn signal lights (1) use several LEDs.

If there is an LED which is not turned on, see your dealer for servicing.

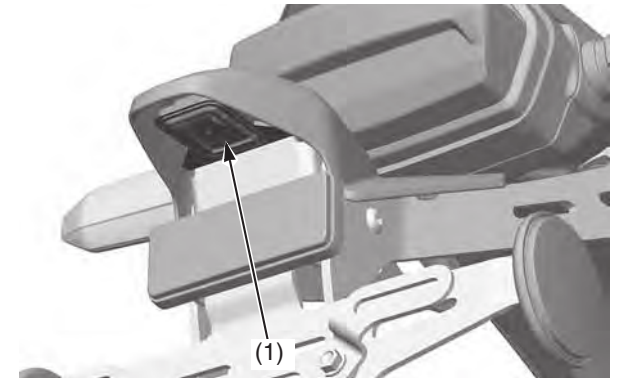


(1) turn signal light

License Plate Light

The license plate light (1) uses an LED.

If there is an LED which is not turned on, see your dealer for servicing.



(1) license plate light