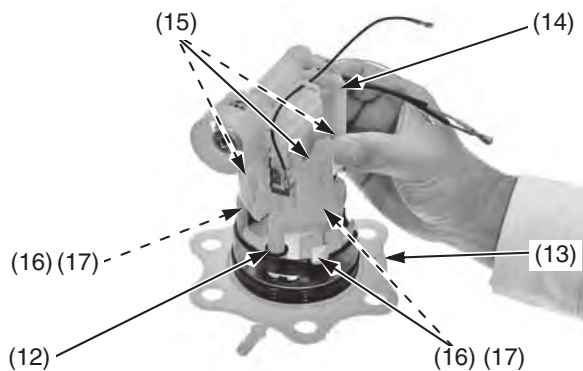


Fuel System

- Apply small amount of engine oil to a new O-ring (12).
Install a new O-ring to the fuel pump base (13).
- Install the fuel pump unit holder assembly (14) into the fuel pump base while aligning its hooks (15) with the grooves (16) in the fuel pump base tabs (17).
If the gap between the hooks and tabs is more than 0.04 in (1.0 mm), replace the fuel pump unit.

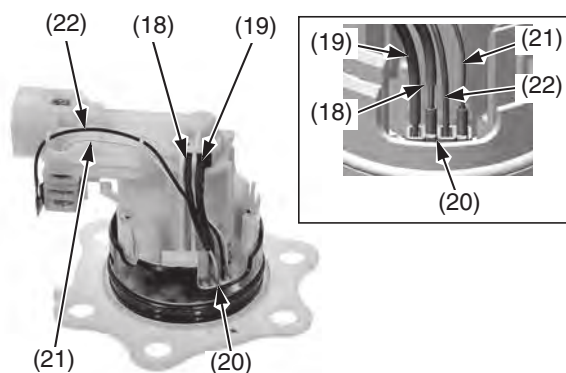
Be sure that the hooks are completely seated.



- (12) O-ring (new)
- (13) fuel pump base
- (14) fuel pump unit holder assembly
- (15) hooks
- (16) grooves
- (17) tabs

- Connect the fuel pump yellow (18) and green (19) wire terminals to the fuel pump base terminals (20). Route the fuel reserve level sensor wires properly, connect the white (21) and black (22) wire terminals to the fuel pump base terminals. Push the wire terminals until they stop as shown.

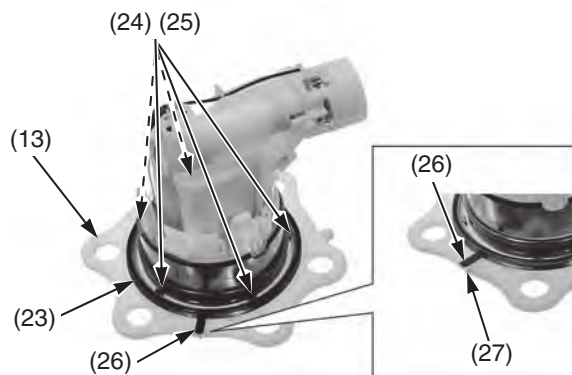
Be careful not to damage the wires.



- (18) yellow wire terminal
- (19) green wire terminal
- (20) fuel pump base terminals
- (21) white terminal
- (22) black terminal

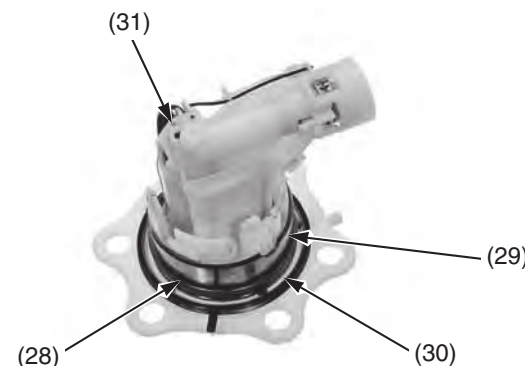
- Install a new dust seal (23) by aligning its tabs (24) with the fuel pump unit grooves (25).

Check the dust seal lug (26) which is located the index mark (27) of the fuel pump base (13).



- (13) fuel pump base
- (23) dust seal (new)
- (24) tabs
- (25) grooves
- (26) dust seal lug
- (27) index mark

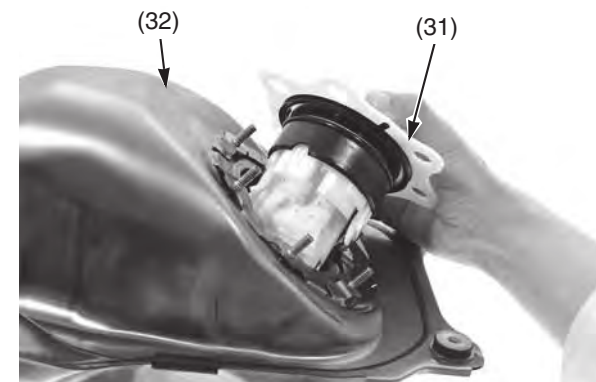
- Apply small amount of engine oil to a new O-ring (28).
Install a new O-ring into the between the dust seal (29) and collar (30) of the fuel pump unit (31).



- (28) O-ring (new)
- (29) dust seal
- (30) collar
- (31) fuel pump unit

- Install the fuel pump unit (31) into the fuel tank (32) with its hose joint facing forward.

Be careful not to damage the fuel pump unit and reserve sensor.



- (31) fuel pump unit
- (32) fuel tank