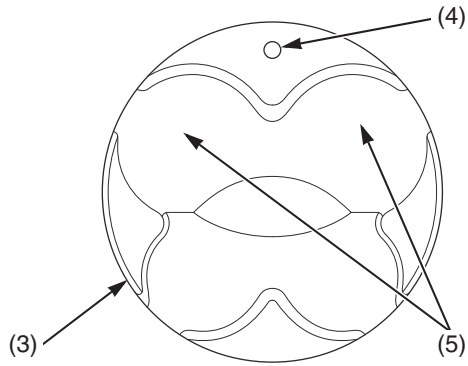


Piston/Piston Rings/Piston Pin

3. Install the piston (3) with the “○” mark (4) and/or the large valve recesses (5) facing the intake side of the engine.

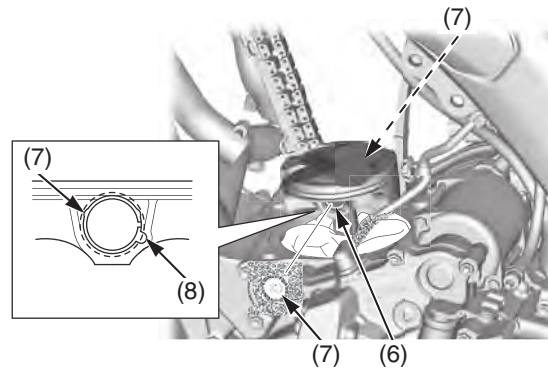


(3) piston
(4) “○” mark
(5) large valve recesses

Apply molybdenum disulfide oil (a mixture of 1/2 engine oil and 1/2 molybdenum disulfide grease containing more than 3% molybdenum disulfide additive Moly Paste 77) to the piston pin (6) outer surface. Apply engine oil to the piston pin hole inner surface. Install the piston pin and new piston pin clips (7).

NOTICE

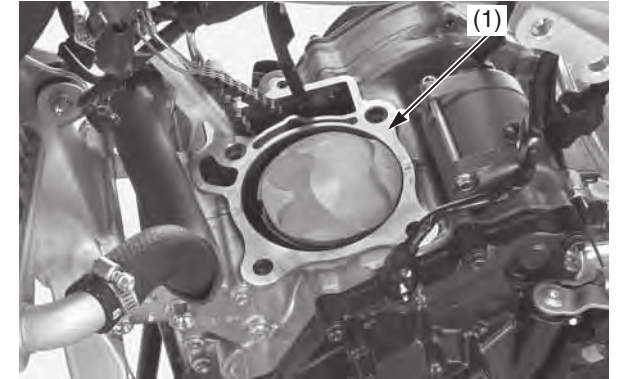
*Be careful not to damage or give a shock to the piston pin.
Use new pin clips. Never reuse old clips.
Do not let the clips fall into the crankcase.
Do not align the piston pin clip end gap with the piston cutout (8).*



(6) piston pin
(7) piston pin clips (new)
(8) piston cutout

Cylinder Installation

1. Clean the cylinder mating surfaces (1) of the crankcase, being careful not to let any material fall into the crankcase.

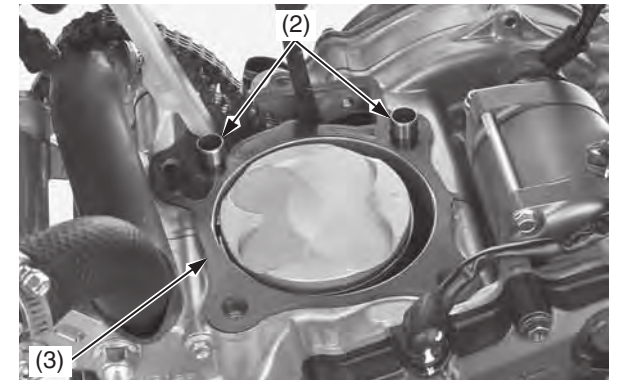


(1) crankcase mating surface

2. Remove the shop towels.
3. Install the dowel pins (2) and a new cylinder gasket (3).

NOTICE

Do not let the dowel pins fall into the crankcase.



(2) dowel pins
(3) cylinder gasket (new)