

## Piston Ring Installation

1. Remove the carbon deposits from the piston head and piston ring grooves.

### NOTICE

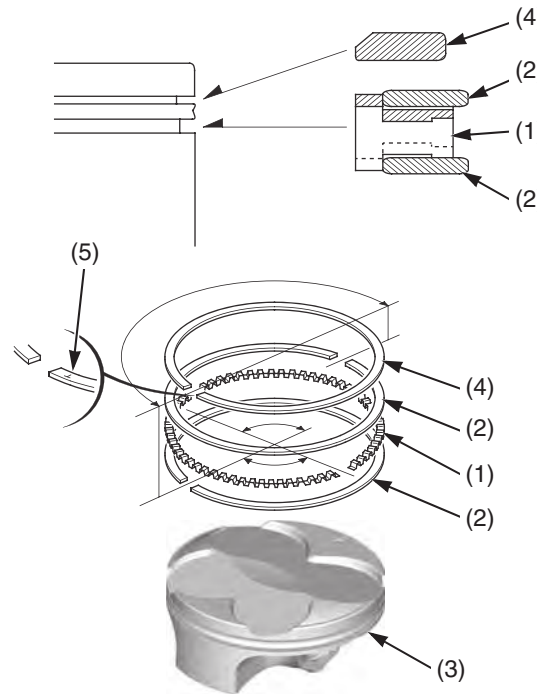
*Do not damage the piston when removing the carbon deposit.*

2. Apply engine oil to each piston ring whole surface.
3. Install the spacer (1) first, then install the side rails (2) to the piston (3).
4. Install the top ring (4) to the piston with "T" mark (5) side facing up.

### NOTICE

*Do not damage the piston ring by spreading the ends too far.  
Do not damage the piston during piston ring installation.*

5. After installing the piston rings they should rotate freely, without sticking. Space the ring end gaps 180 degrees apart between top ring and upper side rail. Space the ring end gaps 90 degrees apart between upper side rail, spacer and lower side rail.

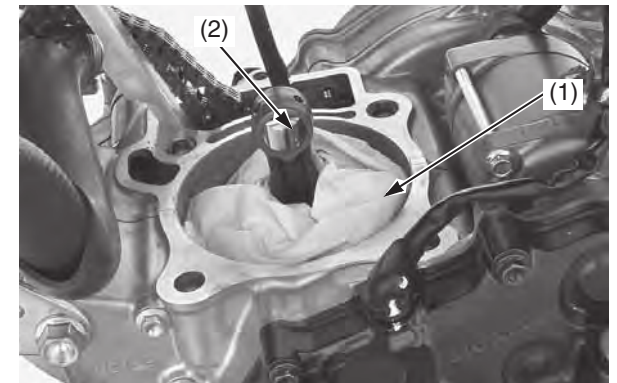


(1) spacer  
(2) side rails  
(3) piston

(4) top ring  
(5) "T" mark

## Piston Installation

1. Place a clean shop towel (1) over the crankcase opening to keep the piston pin clips from falling into the crankcase.
2. Apply molybdenum disulfide oil (a mixture of 1/2 engine oil and 1/2 molybdenum disulfide grease containing more than 3% molybdenum disulfide additive Moly Paste 77) to the connecting rod small end (2) inner surface.



(1) shop towel  
(2) connecting rod small end

(cont'd)