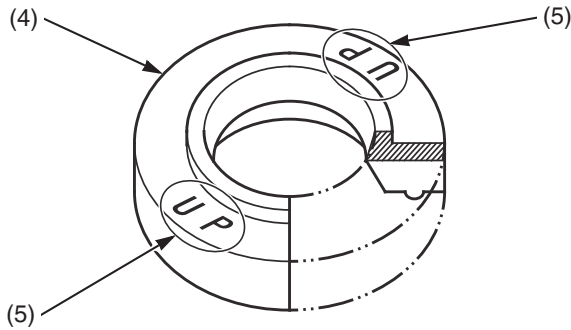


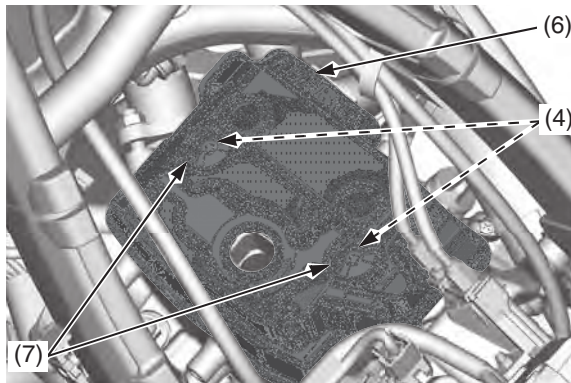
Valve Clearance

- Check that the rubber seals (4) are in good condition, replace them if necessary. Install the rubber seals onto the cylinder head cover with the "UP" marks (5) facing up.



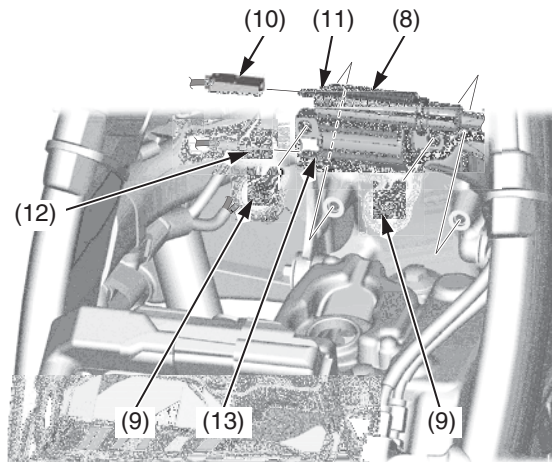
- (4) rubber seals
- (5) "UP" marks

- Install the cylinder head cover (6) and tighten the cylinder head cover socket bolts (7) with the rubber seals (4) to the specified torque: 7 lbf·ft (10 N·m, 1.0 kgf·m)



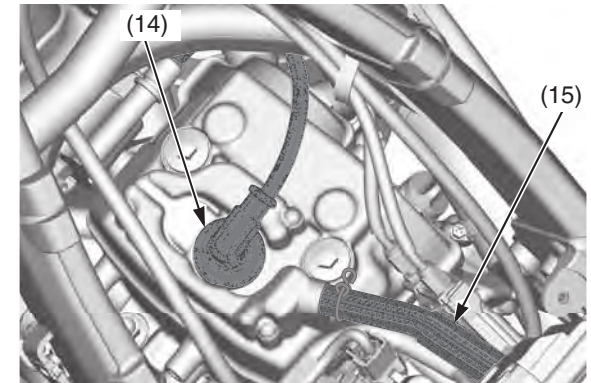
- (4) rubber seals
- (6) cylinder head cover
- (7) cylinder head cover socket bolts

- Install the ignition coil (8) and tighten the ignition coil bolts (9) to the specified torque: 7 lbf·ft (10 N·m, 1.0 kgf·m). Connect the ignition coil A connector (10) to the blue terminal (11). Connect the ignition coil B connector (12) to the black terminal (13).



- (8) ignition coil
- (9) ignition coil bolts
- (10) ignition coil A connector
- (11) blue terminal
- (12) ignition coil B connector
- (13) black terminal

- Install the spark plug (page 81).
- Connect the spark plug cap (14) and breather tube (15).



- (14) spark plug cap
- (15) breather tube

- Install the fuel tank and seat (pages 33, 35, 38).