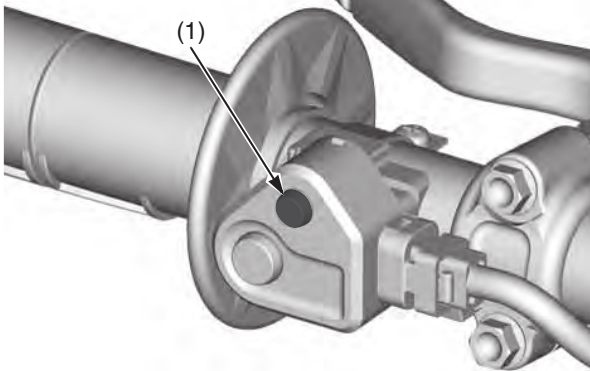


Engine Mode Select Button



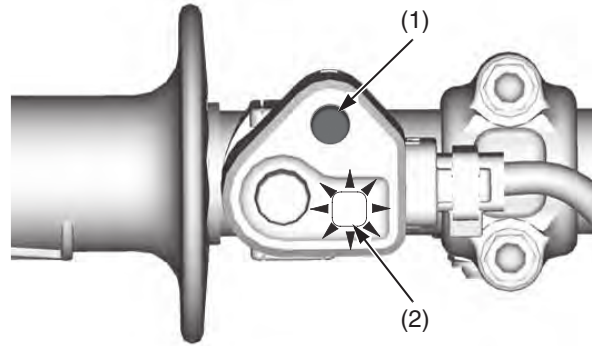
(1) engine mode select button

You can change engine output characteristic depending on track conditions by using the engine mode select button (1).

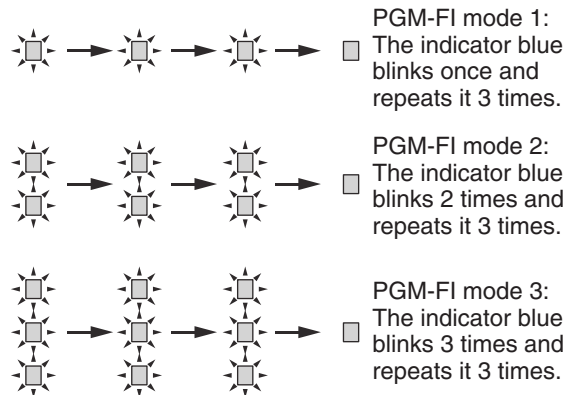
- PGM-FI mode 1: standard setting
- PGM-FI mode 2: smooth setting (reduce throttle response from the standard setting)
- PGM-FI mode 3: aggressive setting (increase throttle response from the standard setting)

Current Mode

Start the engine and push the engine mode select button (1) with your CRF stopped. The engine mode indicator (2) under the engine mode select button indicates the selected mode by blinking the mode number in blue 3 times.



(1) engine mode select button
(2) engine mode indicator (blue)



Mode Selection

1. Start the engine.
2. With your CRF stopped and the throttle closed, push and hold the engine mode select button for 1 or more second.

Make sure that the fast idle knob is pushed in (page 17). If the fast idle knob is pulled out, the engine mode will not change.

3. Release the engine mode select button. The engine mode indicator will indicate a selected mode by the number of times the indicator blue blinks.
4. Repeat steps 2 – 3 until the desired mode is indicated.

