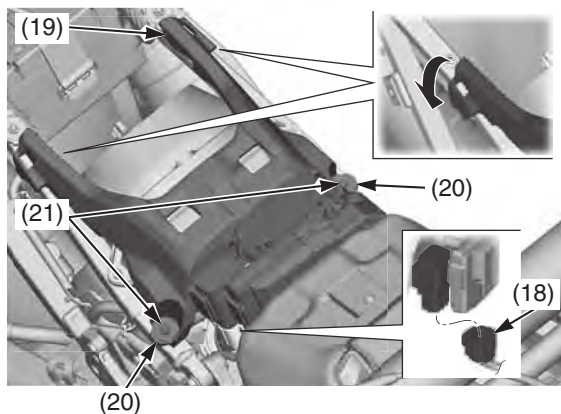


7. Connect the starter/ignition relay connector (18) and install the seat support base (19).
8. Install and tighten the collars (20), and seat support base mounting bolts (21) to the specified torque:  
7 lbf-ft (10 N·m, 1.0 kgf·m)



- (18) starter/ignition relay connector
- (19) seat support base
- (20) collars
- (21) seat support base mounting bolts

9. Install the left and right mufflers (page 132).

10. Install the right and left shrouds (pages 36, 39).
11. Install the seat (page 33).