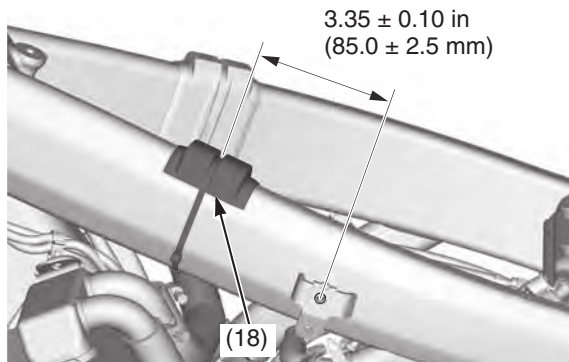


Fuel Tank (CRF250RX)

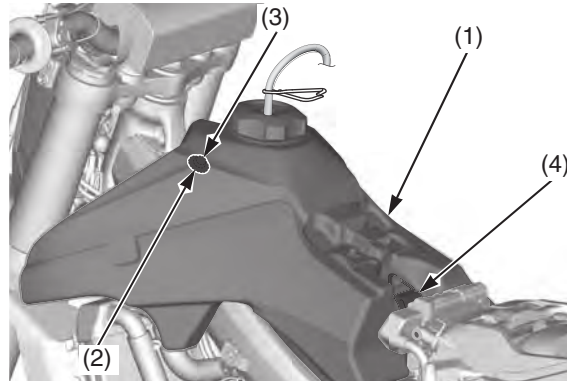
10. Check for interference between the frame and tank, and adjust the cushion rubbers (18) on the both sides of the frame if necessary.



(18) cushion rubbers

Installation

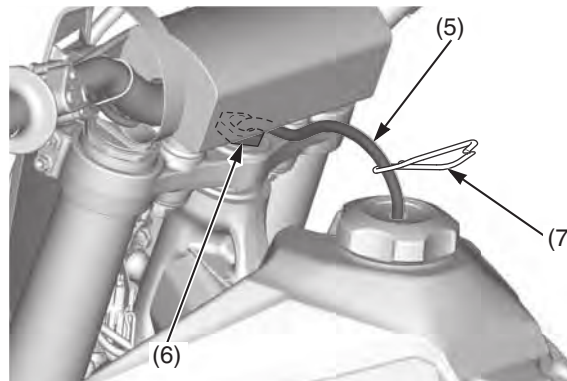
1. Install the fuel tank (1) on the frame.
2. Install and tighten the collar (2) and fuel tank bolt (3) to the specified torque:
7 lbf·ft (10 N·m, 1.0 kgf·m)
3. Hook the fuel tank band (4).



(1) fuel tank
(2) collar

(3) fuel tank bolt
(4) fuel tank band

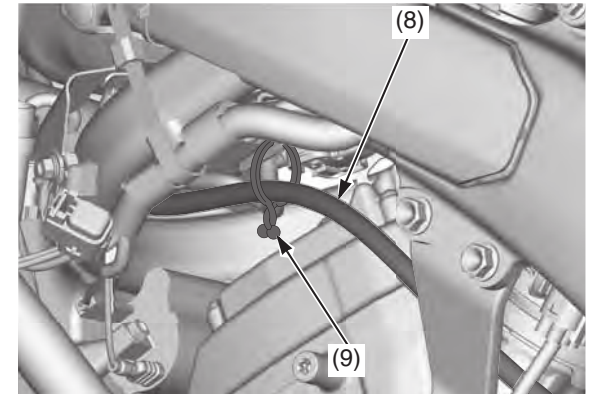
4. Put the breather tube (5) in the steering stem nut (6).
5. Remove the hose clamp (7) from the breather tube.



(5) breather tube
(6) steering stem nut

(7) hose clamp

6. Connect the overflow hose (8) to the clamp (9).



(8) overflow hose
(9) clamp