

# Additional Maintenance Procedures

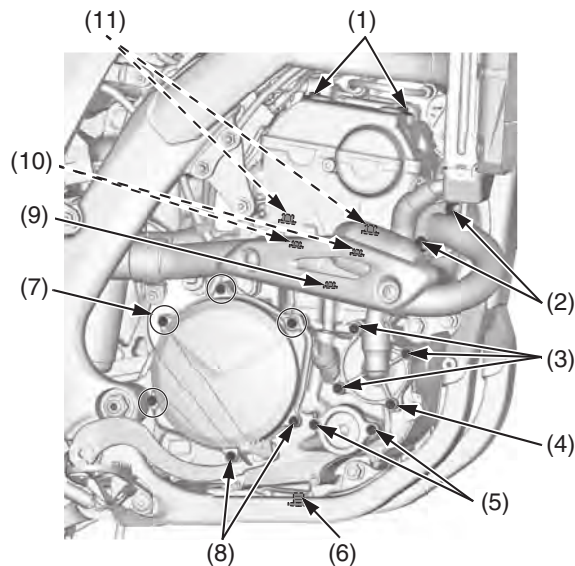
## Nuts, Bolts, Fasteners

Check and tighten nuts, bolts, and fasteners before every outing.

### ENGINE

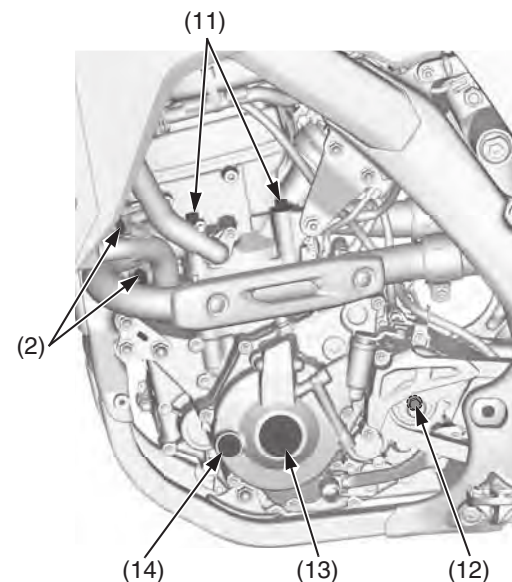
	Item	Torque		
		lbf-ft	N-m	kgf-m
1	Cylinder head cover socket bolts	7	10	1.0
2	Exhaust pipe joint nuts	15	21	2.1
3	Water pump cover bolts	7	10	1.0
4	Coolant drain bolt	7	10	1.0
5	Oil filter cover bolts	7	10	1.0
6	Engine oil drain bolt	12	16	1.6
7	Clutch cover A bolts	7	10	1.0
8	Clutch cover B bolts	7	10	1.0
9	Cylinder bolt	7	10	1.0
10	Cylinder head A bolts	7	10	1.0
11	Cylinder head B bolts	35	48	4.9
12	Drive sprocket bolt	23	31	3.2
13	Crankshaft hole cap	11	15	1.5
14	Timing hole cap	4.4	6	0.6

### RIGHT SIDE



- (1) cylinder head cover socket bolts
- (2) exhaust pipe joint nuts
- (3) water pump cover bolts
- (4) coolant drain bolt
- (5) oil filter cover bolts
- (6) engine oil drain bolt
- (7) clutch cover A bolts
- (8) clutch cover B bolts
- (9) cylinder bolt
- (10) cylinder head A bolts
- (11) cylinder head B bolts

### LEFT SIDE



- (11) cylinder head B bolts
- (12) drive sprocket bolt
- (13) crankshaft hole cap
- (14) timinghole cap