

Crankcase Breather

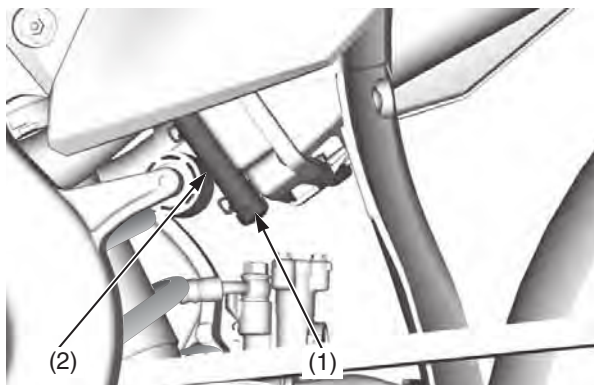
Refer to *Important Safety Precautions* on page 23.

Service more frequently if your CRF is ridden in the rain or often at full throttle.

Service the breather if you can see deposits in the transparent section of the crankcase breather tubes. If the drain tube overflows, the air filter may become contaminated with engine oil causing poor engine performance.

Draining

1. Remove the crankcase breather tube plug (1) from the crankcase breather tube (2) and drain deposits into a suitable container.
2. Reinstall the crankcase breather tube plug.



- (1) crankcase breather tube plug
(2) crankcase breather tube