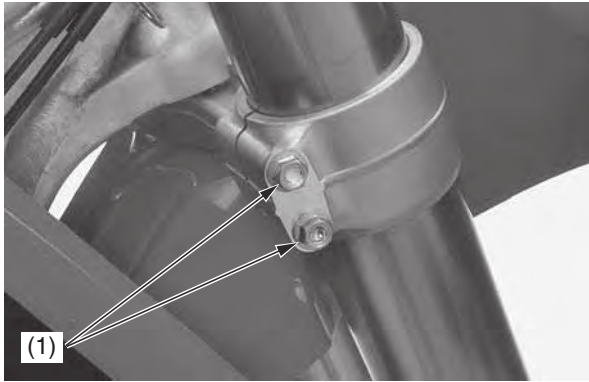


## Fork Installation

1. Insert both fork legs into the fork clamps. Tighten the fork bridge lower pinch bolts (1) to the specified torque:  
15 lbf-ft (20 N·m, 2.0 kgf·m)



(1) fork bridge lower pinch bolts

2. Tighten the air cylinder unit (2) and/or fork damper (3) to the specified torque using the lock nut wrench (4):

Actual:

56 lbf-ft (76 N·m, 7.7 kgf·m)

Torque wrench scale reading:

51 lbf-ft (69 N·m, 7.0 kgf·m), using a 20 in (500 mm) long deflecting beam type torque wrench.

- Lock nut wrench 07WMA-KZ30100

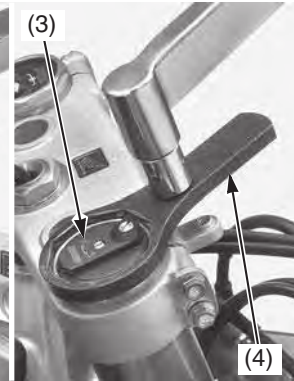
When using the lock nut wrench, use a 20 in (500 mm) long deflecting beam type torque wrench. The lock nut wrench increases the torque wrench's leverage, so the torque wrench reading will be less than the torque actually applied to the air cylinder unit and/or fork damper.

Left fork:



(2) air cylinder unit  
(3) fork damper

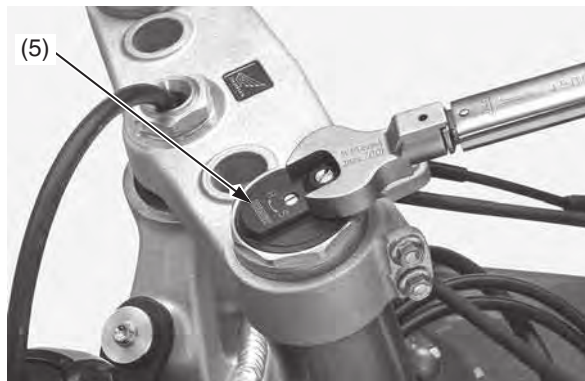
Right fork:



(4) lock nut wrench

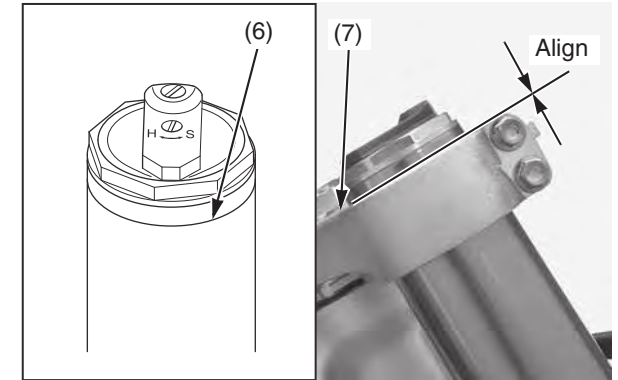
3. Tighten fork cap assembly (5) to the specified torque.  
22 lbf-ft (30 N·m, 3.1 kgf·m)

Right fork:



(5) fork cap assembly

4. For ease of releasing air pressure after the right fork is installed, loosen the fork bridge lower pinch bolts and position the outer tube so that the fork air pressure release screw is in front of the compression damping adjuster. Align the groove (6) in the outer tube with the top surface of the upper fork bridge (7).
5. For ease of releasing air pressure after the left fork is installed, loosen the fork bridge lower pinch bolts and position the outer tube so that the fork air pressure release screw facing rearward. Align the groove (6) in the outer tube with the top surface of the upper fork bridge (7).



(6) groove

(7) upper fork bridge

(cont'd)