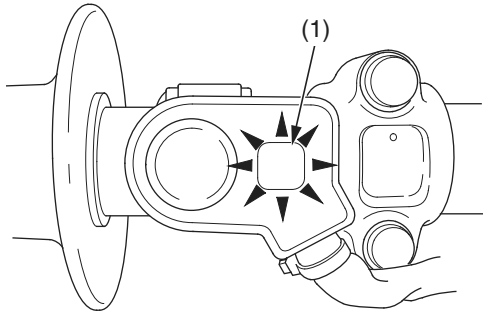


The MIL (1) on your CRF keeps you informed, alerts you to possible problems, and makes your riding safer and more enjoyable. Refer to the MIL frequently.



(1) MIL

The MIL flashes when there is any abnormality in the PGM-FI system. It should also light for a few seconds and then go off when the engine is started.

If the MIL comes on at any other time, reduce speed and refer to an official Honda Service Manual available for purchase from your dealer (page 174).

If the MIL does not come on when it should, have your dealer check it for problems.

## MIL Blink Pattern

The MIL will blink the appropriate DTC number if the ECM detects an active problem while the engine is running at less than 5,500 rpm. The MIL will stay on when engine speed is over 5,500 rpm.

The MIL has two types of blinks: a long blink and short blink. The long blinking lasts for 1.2 seconds, the short blinking lasts for 0.4 seconds. One long blink is the equivalent of ten short blinks. For example, when one long blink is followed by two short blinks, the MIL is 12 (one long blink = 10 blinks, plus two short blinks).

When the ECM stores more than one DTC, the MIL will indicate them by blinking in the order from the lowest number to highest number.

## Current DTC/Freeze DTC

The DTC is indicated in two ways according to the failure status.

- In the case that the ECM detects an active problem, the MIL will come on and will start to blink the DTC when the engine is started.
- In the case that the ECM does not detect an active problem but has recorded a previous problem in its memory, the MIL will not come on. If it is necessary to retrieve any past problems stored in the memory, refer to an official Honda Service Manual.