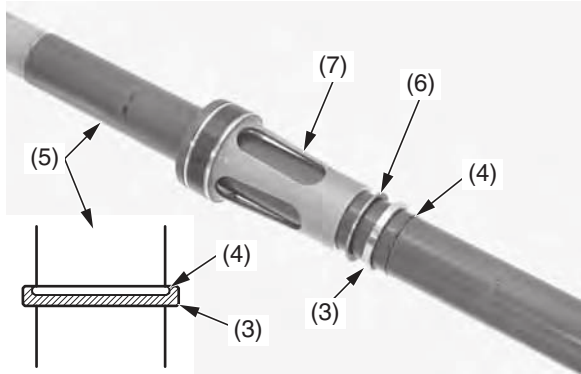


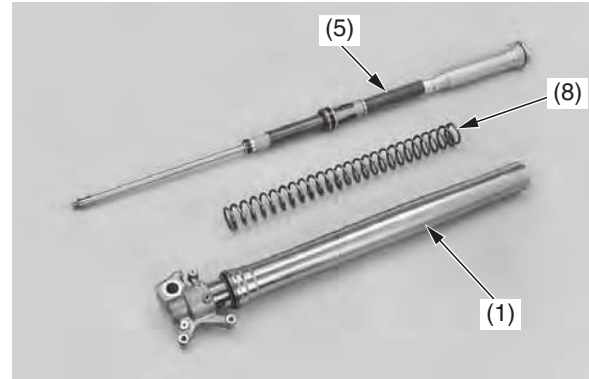
Front Suspension Adjustments

3. Install the collar (3) to the C-ring (4) of the fork damper assembly (5) as shown. Install the washer (6) and spring retainer (7) to the fork damper assembly. Make sure the black side of the washer is seated on the collar side.



(3) collar
 (4) C-ring
 (5) fork damper assembly
 (6) washer
 (7) spring retainer

4. Blow out the oil completely off the fork spring (8) using compressed air. Install the fork spring to the fork damper assembly (5). Install the fork damper assembly to the fork assembly (1).



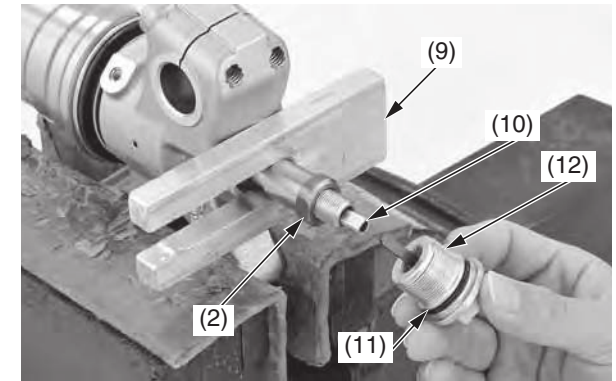
(1) fork assembly
 (5) fork damper assembly
 (8) fork spring

5. Place the lower end (axle holder) of the slider in a vise with a piece of wood or soft jaws to avoid damage.

NOTICE

Over-tightening the vise can damage the axle holder.

6. Push out the fork damper piston rod from the axle holder of the slider by pushing the fork damper. Apply pressure to the fork damper and insert the piston base (9) or mechanic's stopper tool between the axle holder and fork center bolt lock nut (2). Measure the thread length again. Standard: 0.43 – 0.51 in (11 – 13 mm)
 - Piston base 07958-2500001
7. Install the push rod (10) into the fork damper piston rod until it stops.
8. Apply fork oil to new O-ring (11) and install it to the fork center bolt (12). Install the fork center bolt to the fork damper piston rod. Tighten the fork center bolt fully by hand.



(2) fork center bolt lock nut
 (9) piston base
 (10) push rod
 (11) O-ring (new)
 (12) fork center bolt

(cont'd)