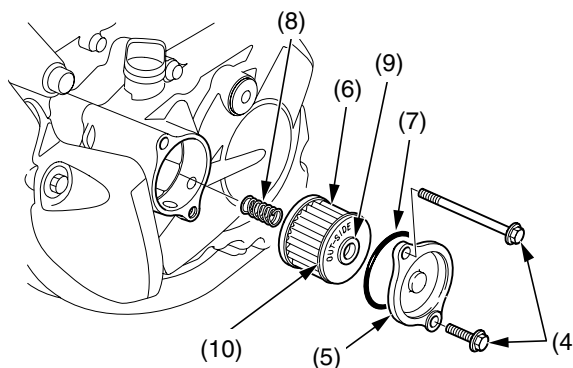


7. It is recommended to replace the oil and filter every 6 races or about every 15.0 hours. However, if you replace only the oil before the recommended interval, [see page 25](#).

8. Remove the oil filter cover bolts (4) and oil filter cover (5).
 9. Remove the oil filter (6) and O-ring (7) from the oil filter cover.



- (4) oil filter cover bolts
 (5) oil filter cover
 (6) oil filter
 (7) oil filter cover O-ring
 (8) spring
 (9) rubber seal
 (10) "OUT-SIDE" mark

NOTICE

Using the wrong oil filter may result in leaks or engine damage.

10. Apply grease to the filter side of the spring end, then install the spring (8) into a new oil filter.
 11. Position the spring against the engine crankcase and install a new oil filter with the rubber seal (9) facing out, away from the engine. You should see the "OUT-SIDE" mark (10) on the filter body, near the rubber seal. Use a new Honda Genuine oil filter or a filter of equal quality specified for your model.

NOTICE

If the oil filter is not installed properly, it will cause serious engine damage.

12. Apply engine oil to a new O-ring and install it to the oil filter cover.
 13. Install the oil filter cover being careful not to damage the O-ring, then tighten the oil filter cover bolts to the specified torque:
9 lbf·ft (12 N·m, 1.2 kgf·m)
 14. Fill the crankcase with the recommended oil.
 Capacity: 0.73 US qt (0.69 ℓ)
 after draining and oil filter change
 0.70 US qt (0.67 ℓ)
 after draining
 15. Install the engine oil fill cap/dipstick.
 16. Check the engine oil level by following the steps in *Checking & Adding Oil* ([page 50](#)).

Pour the drained oil into a suitable container and dispose of it in an approved manner ([page 144](#)).

NOTICE

Improper disposal of drained fluids is harmful to the environment.