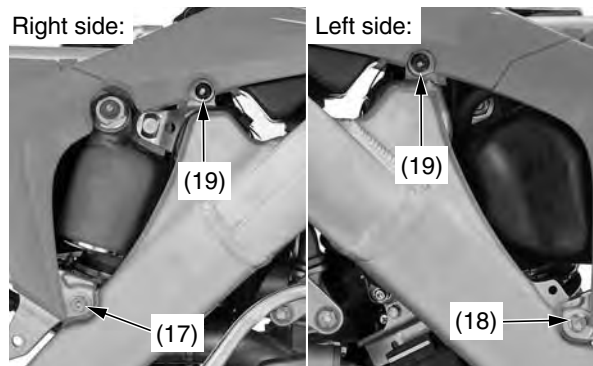


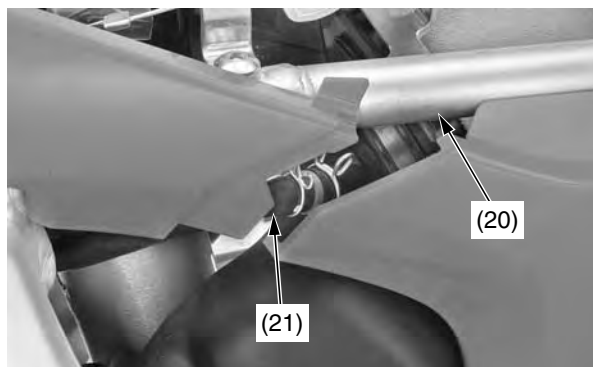
8. Remove the right subframe lower bolt (17) and left subframe lower bolt (18).
Remove the subframe upper bolts (19).



(17) right subframe lower bolt
(18) left subframe lower bolt
(19) subframe upper bolts

9. Slightly pull the subframe (20) backward and disconnect the crankcase breather tube (21) from the air cleaner connecting tube. Remove the subframe.

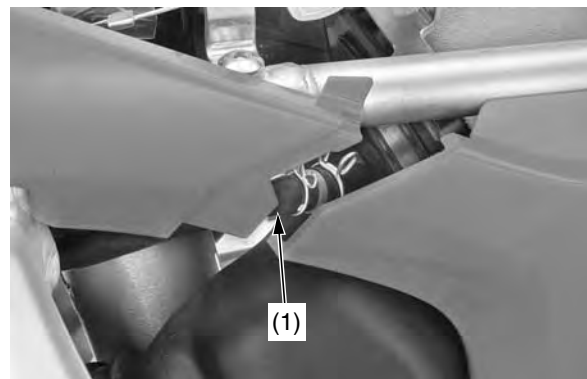
Be careful not to damage the ECM and wires.



(20) subframe
(21) crankcase breather tube

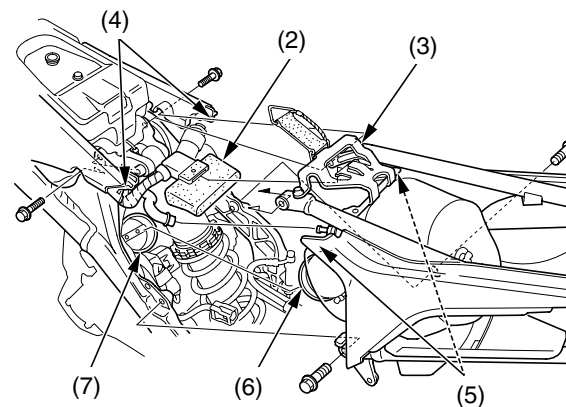
Installation

1. Connect the crankcase breather tube (1).



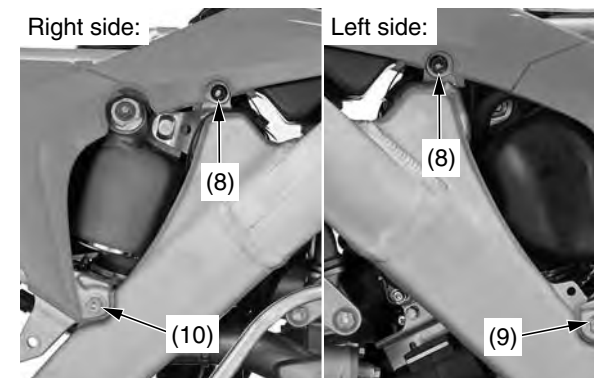
(1) crankcase breather tube

2. Position the ECM (2) in the bracket (3).
3. Align the shroud tabs (4) with the air cleaner housing cover tabs (5).
4. Loosely attach the upper and lower end of the subframe to the main frame while connecting the air cleaner connecting tube (6) to the throttle body (7).
5. Loosely install all subframe bolts.



(2) ECM
(3) bracket
(4) shroud tabs
(5) air cleaner housing cover tabs
(6) air cleaner connecting tube
(7) throttle body

6. Align the subframe with the rear wheel and tighten the subframe upper bolts (8), left subframe lower bolt (9) and right subframe lower bolt (10) to the specified torque:
subframe upper bolts:
24 lbf-ft (33 N·m, 3.4 kgf·m)
left subframe lower bolt:
24 lbf-ft (33 N·m, 3.4 kgf·m)
right subframe lower bolt:
36 lbf-ft (49 N·m, 5.0 kgf·m)



(8) subframe upper bolts
(9) left subframe lower bolt
(10) right subframe lower bolt

(cont'd)