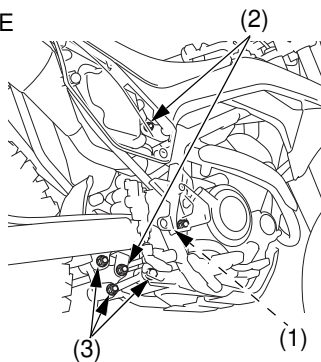


Suspension

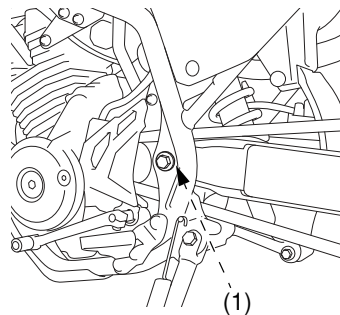
Rear Suspension Inspection

RIGHT SIDE



- (1) swingarm bearing
- (2) shock absorber attachment points
- (3) suspension linkage attachment points

LEFT SIDE



(1) swingarm bearing

1. Place the motorcycle on a maintenance stand. Push hard against the side of the rear wheel and feel for any freeplay which indicates worn swingarm bearings (1).