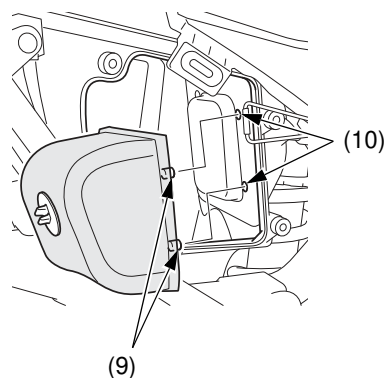


## Air Cleaner

9. Pour clean Pro Honda Foam Filter Oil or an equivalent (Canada: Honda Foam Filter Oil or an equivalent) over the entire surface of the air cleaner. Use both hands to evenly spread the oil into the air cleaner. Gently squeeze out any excess oil. (To keep your hands dry, place the air cleaner in a clean plastic bag before spreading the oil into the air cleaner.)
10. Assemble the air cleaner and holder.  
Insert the tabs (7) in the air cleaner holes (8).
11. Clean the inside of the air cleaner housing.
12. Apply a thin coat of grease to the sealing surface of the air cleaner.
13. Install the air cleaner assembly by inserting the tabs (9) on the air cleaner holder into the holes (10) in the air cleaner housing.  
Hook the set spring.  
Check that the air cleaner is properly seated.

14. Install the air cleaner housing cover and screws.
  15. Install the right side cover (page 53).
- RIGHT SIDE



(9) tabs

(10) holes