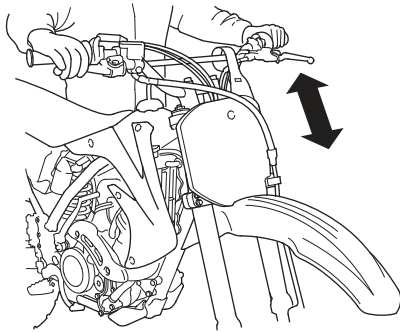
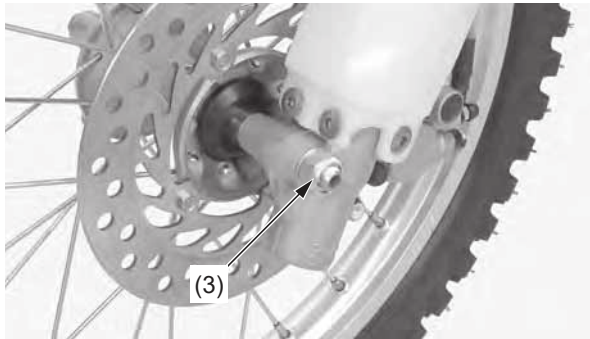


Front Suspension Adjustments

44. With the front brake applied, pump the fork up and down several times to seat the axle and check front brake operation.



45. Tighten the front axle nut (3) to the specified torque:
51 lbf·ft (69 N·m, 7.0 kgf·m)



(3) front axle nut

46. Turn the rebound damping adjuster screws back to their original settings.

Front Suspension Damping

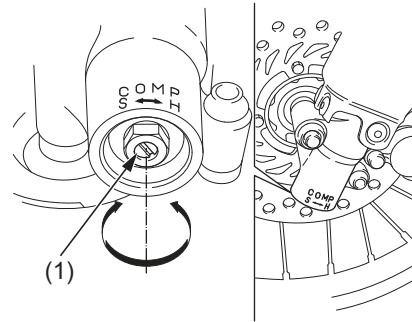
Compression Damping

Compression damping affects how quickly the fork compresses.

The compression damping adjuster has 6 1/4 turns or less.

Always start with the full hard position when adjusting damping.

To adjust to the standard position:



(1) compression damping adjuster

1. Turn the compression damping adjuster (1) clockwise until it will no longer turn (lightly seats). This is the full hard position.
2. Turn the adjuster counterclockwise 1 1/4 turn. This is the standard position.
3. Make sure that both fork legs are adjusted to the same position.

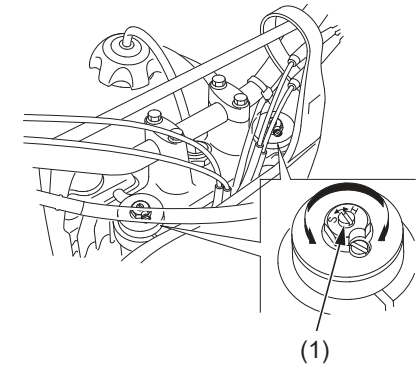
Rebound Damping

Rebound damping effects how quickly the fork rebounds.

The rebound damping adjuster has 3 turns or less.

Always start with the full hard position when adjusting damping.

To adjust to the standard position:



(1) rebound damping adjuster

1. Turn the rebound damping adjuster (1) clockwise until it will no longer turn (lightly seats). This is the full hard position.
2. Turn the adjuster counterclockwise 1 1/4 turn. This is the standard position.
3. Make sure both fork legs are adjusted to the same position.