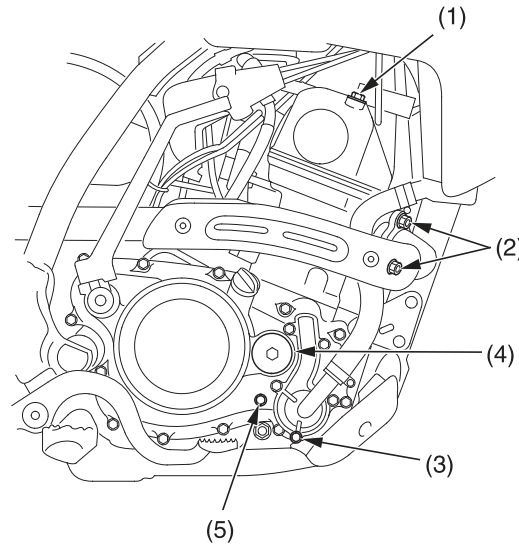


## Nuts, Bolts, Fasteners

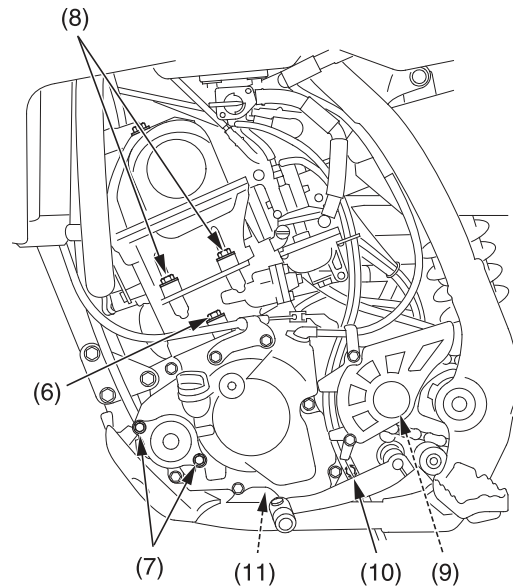
Check and tighten nuts, bolts, and fasteners before every outing.

### Engine

RIGHT SIDE



LEFT SIDE



### ENGINE

| Item | Torque                      |     |       | Remarks |        |
|------|-----------------------------|-----|-------|---------|--------|
|      | lbf•ft                      | N•m | kgf•m |         |        |
| 1    | Cylinder head cover bolts   | 7   | 10    | 1.0     |        |
| 2    | Exhaust pipe joint nuts     | 8   | 11    | 1.1     |        |
| 3    | Coolant drain bolt          | 7   | 10    | 1.0     |        |
| 4    | Crankshaft hole cap         | 11  | 15    | 1.5     | NOTE 5 |
| 5    | Transmission oil check bolt | 7   | 10    | 1.0     |        |
| 6    | Cylinder bolt               | 7   | 10    | 1.0     |        |
| 7    | Oil filter cover bolts      | 7   | 10    | 1.0     |        |
| 8    | Cylinder head bolts         | 7   | 10    | 1.0     |        |
| 9    | Drive sprocket bolt         | 10  | 13    | 1.3     |        |
| 10   | Transmission oil drain bolt | 16  | 22    | 2.2     | NOTE 3 |
| 11   | Engine oil drain bolt       | 16  | 22    | 2.2     | NOTE 3 |

NOTES: 1. U-nut.  
 2. UBS nut.  
 3. Apply oil to the threads and seating surface.  
 4. Alock bolt.  
 5. Apply grease to the threads.  
 6. Apply locking agent to the threads.