

# Carburetor Adjustments & Tuning Tips

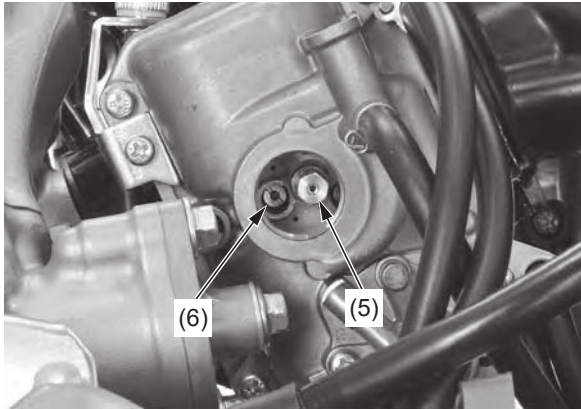
11. Change the main jet (5) and slow jet (6) as required.

Main jet;

1.1 lbf-ft (1.5 N·m, 0.2 kgf·m)

Slow jet:

1.1 lbf-ft (1.5 N·m, 0.2 kgf·m)



(5) main jet

(6) slow jet

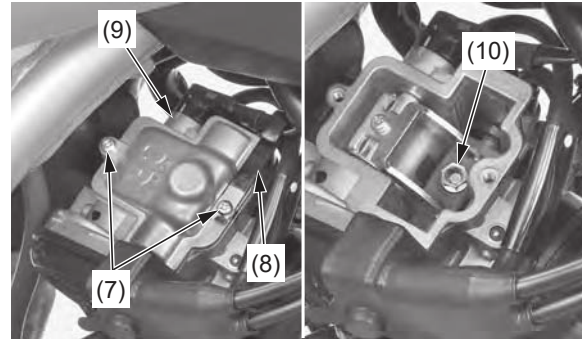
12. Reinstall the float bowl plug and tighten it to the specified torque:

3.6 lbf-ft (4.9 N·m, 0.5 kgf·m)

If you've determine that the jet needle or clip position of jet needle must be changed, you must remove the carburetor top.

13. Rotate the carburetor to the right and remove the carburetor top screws (7), cable clamp (8) and carburetor top (9).

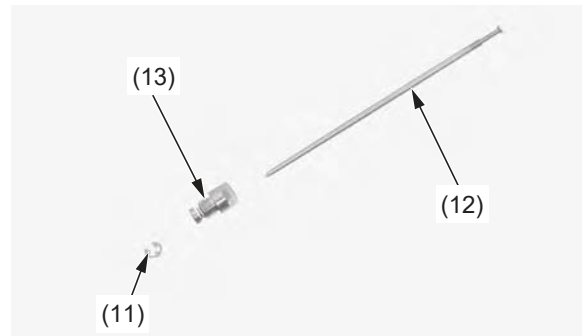
14. Remove the jet needle/holder assembly (10).



(7) carburetor top screws  
(8) cable clamp

(9) carburetor top  
(10) jet needle/holder assembly

15. Remove the clip (11) and jet needle (12) from the jet needle holder (13).



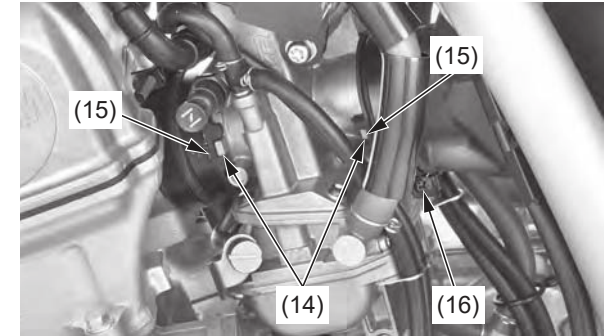
(11) clip  
(12) jet needle

(13) jet needle holder

16. Change the clip position of jet needle or jet needle as required.
17. Reinstall the jet needle/holder assembly and tighten it to the specified torque:  
1.5 lbf-ft (2.1 N·m, 0.2 kgf·m)
18. Reinstall the carburetor top, cable clamp and carburetor top screws. Tighten the carburetor top screws to the specified torque:  
1.5 lbf-ft (2.1 N·m, 0.2 kgf·m)

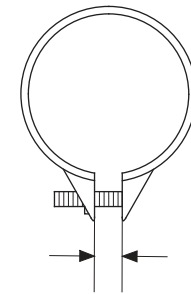
19. Rotate the carburetor and align the tabs (14) on the carburetor with the grooves (15) on the insulator and connecting tube.

20. Tighten the connecting tube clamp screw (16) so the gap between the tabs of the clamp is  $0.1 \pm 0.04$  in ( $3 \pm 1$  mm).



(14) tabs  
(15) grooves

(16) connecting tube clamp screw



$0.1 \pm 0.04$  in ( $3 \pm 1$  mm)

(cont'd)